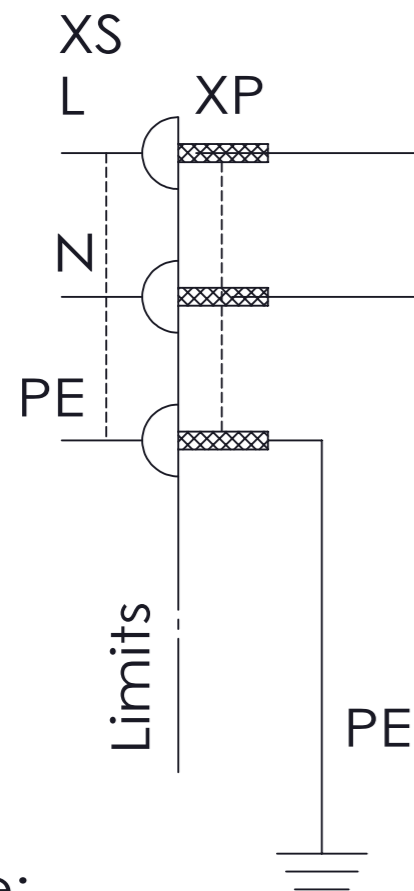


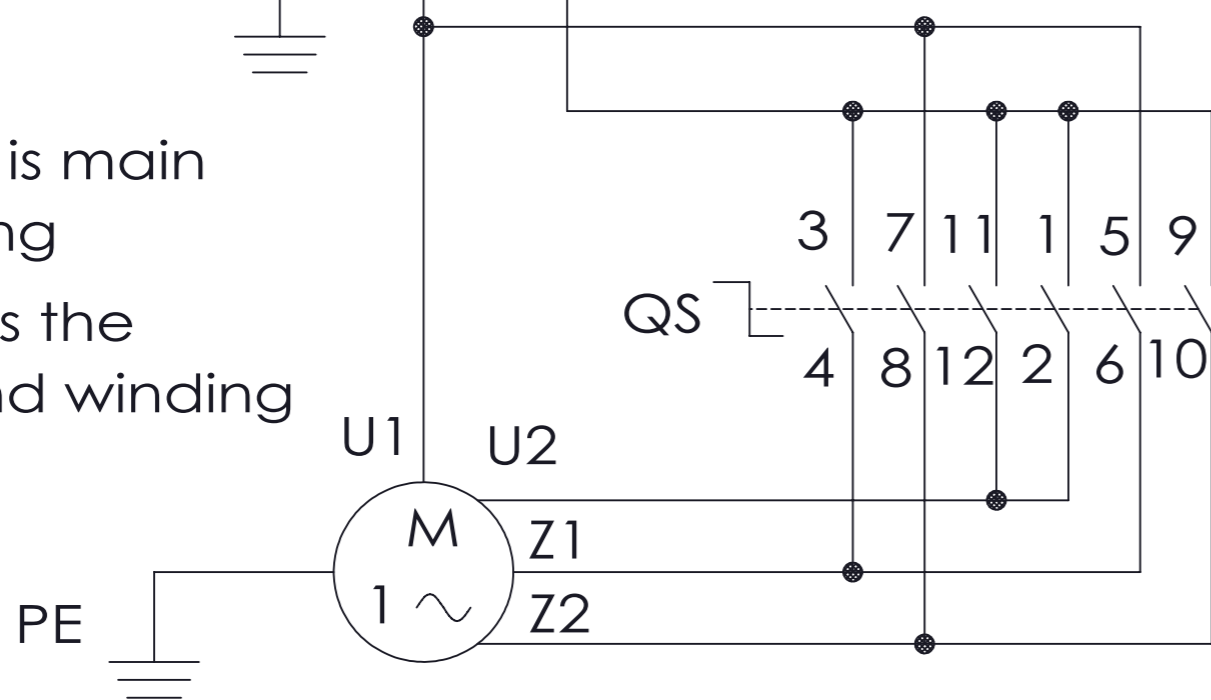
~220V.50Hz



Drill Stop Plane
QS: ↓ ↓ ↓

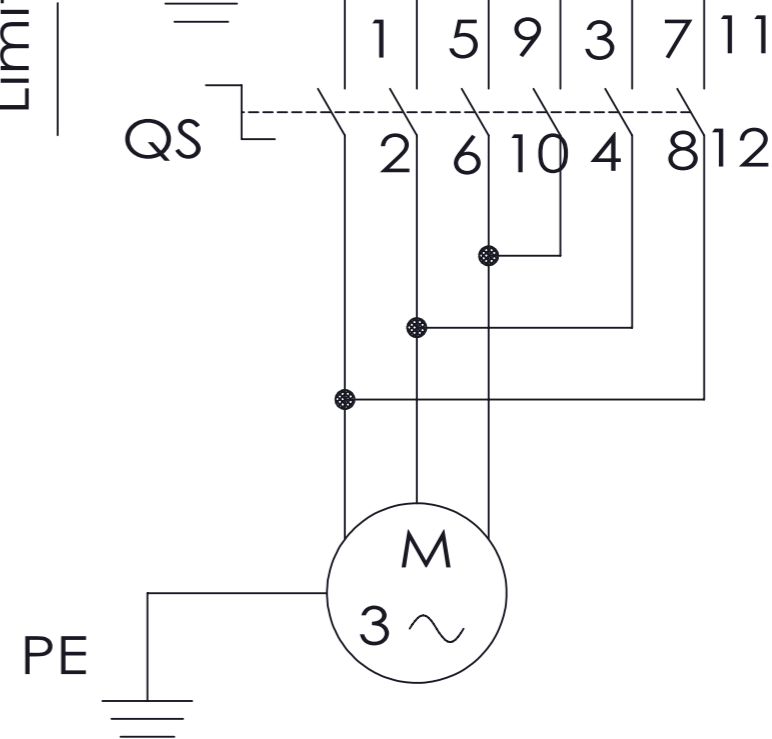
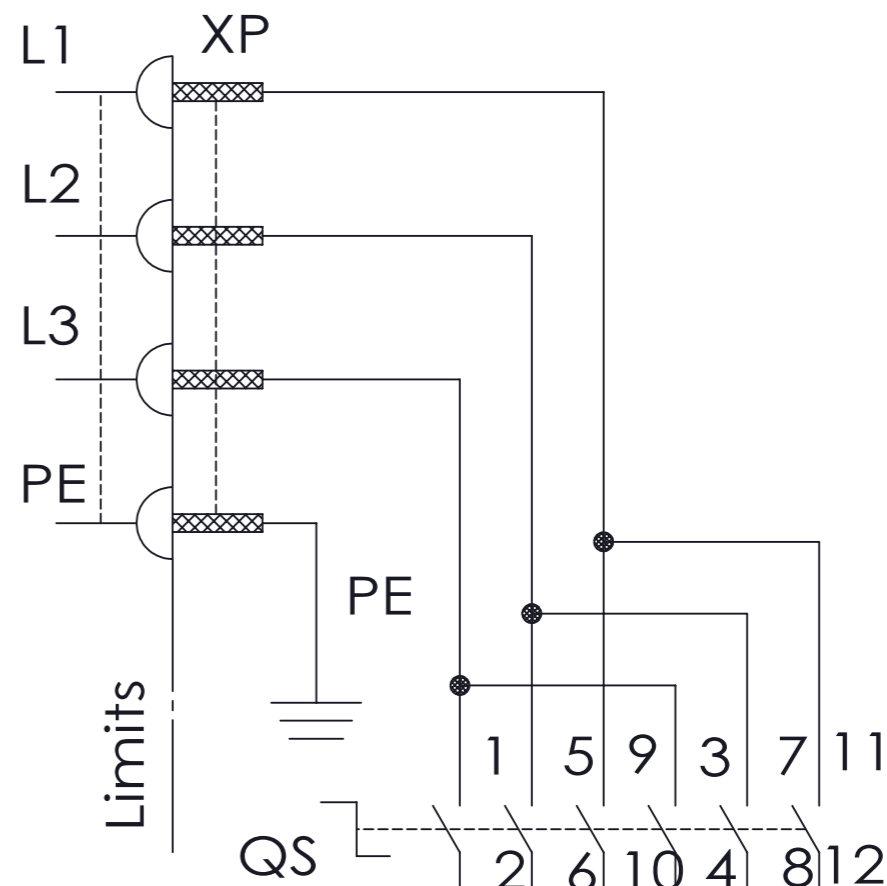
con- factor No.	fix feature	HZ5-20/4 M05		
		60°	0°	60°
1-2				X
3-4		X		
5-6				X
7-8		X		
9-10				X
11-12		X		

Note:
U1 U2 is main
winding
Z1 Z2 is the
second winding



a

XS ~380V.50Hz



b