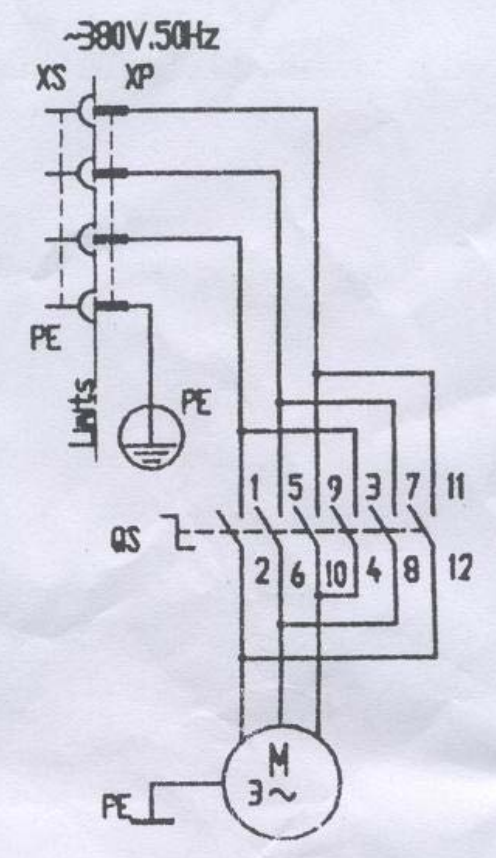


Drill Stop Plane Saw

QS:

coil factor No.	Tap Feature		
	60°	0°	60°
1 - 2			x
3 - 4	x		
5 - 6			x
7 - 8	x		
9 - 10			x
11 - 12	x		

a



b