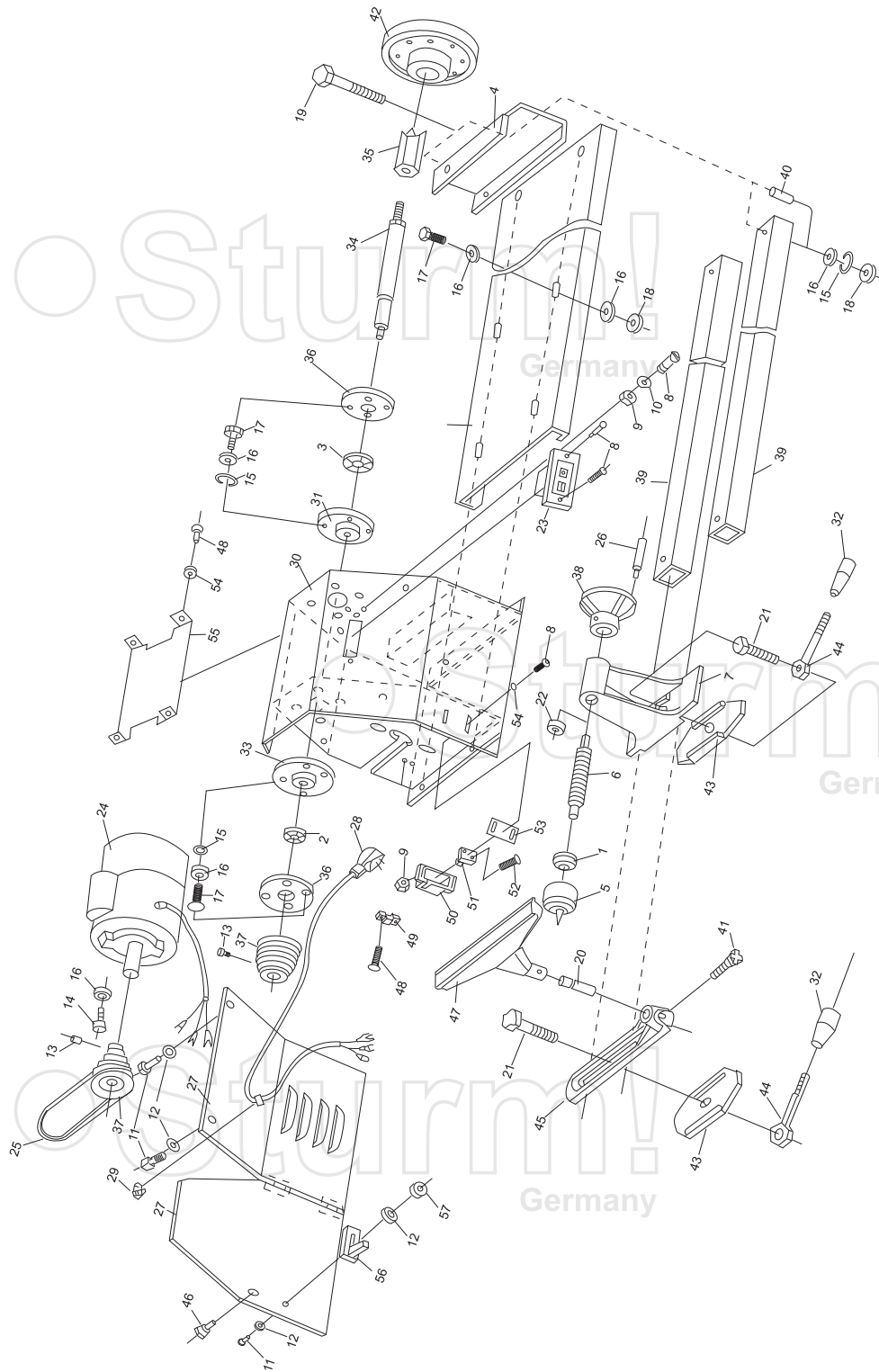


WL1045



NO.	DESCRIPTION	NO.	DESCRIPTION
1	BEARING	30	CABINET
2	BEARING	31	BEARING BASE
3	BEARING	32	LOCK HANDLE KNOB
4	SUPPORTER	33	BEARING BASE
5	CENTER	34	DRIVING SPINDLE
6	SPINDLE	35	SPUR CENTER
7	TAIL STOCK	36	PLATE
8	SCREW	37	PULLEY
9	NUT	38	HAND WHEEL
10	TOOTHED WASHER	39	GUIDE
11	SCREW	40	SLEEVE
12	WASHER	41	LOCK KNOB
13	SCREW	42	FACE PLATE
14	SCREW	43	CLAMP
15	SPRING WASHER	44	LOCK HANDLE
16	WASHER	45	TOOL REST HOLDER
17	BOLT	46	LOCK KNOB
18	NUT	47	TOOL REST
19	BOLT	48	SCREW
20	SUPPORT BAR	49	CORD ANCHORAGE
21	BOLT	50	INTERLOCK SWITCH HOLDER
22	NUT	51	INTERLOCK SWITCH
23	NVR SWITCH	52	TAPPING SCREW
24	MOTOR	53	COVER PLATE
25	V BELT	54	WASHER
26	HAND WHEEL BAR	55	PLATE
27	CABINET	56	ACTUATING PIN
28	PLUG & CORD	57	NUT
29	BUSH		