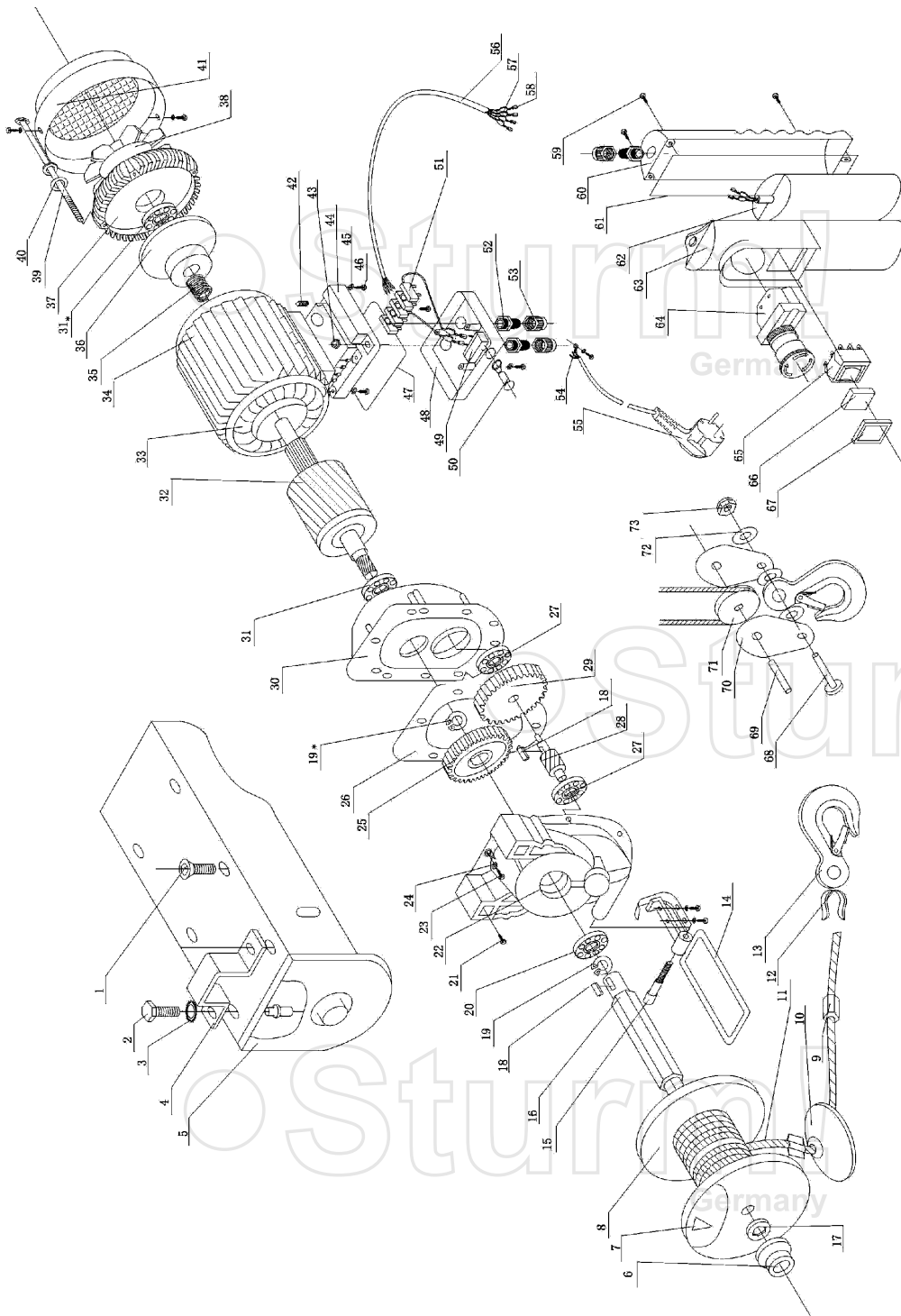


# EH7240



NO.	DESCRIPTION	NO.	DESCRIPTION
1	HEX SOCKET CAP HEAD SCREWS	38	FAN BLADE
2	HEX HEAD BOLTS M10*30	39	HEX HEAD BOLTS
3	LOCK WASHERS EXTERNAL TEETH	40	PLAIN WASHER Ø5
4	FIXING RING	41	FAN HOOD
5	FIXING RACK	42	HEX SOCKET SCREW
6	CRADLE	43	HEX SCREW NUT
7	WEDGE	44	CONNECTING HOUSING(DOWN)
8	ROPE TUBE	45	PLAIN WASHER Ø4
9	FASTENING SLEEVE OF ROPE	46	CROSS RECESSED PAN HEAD SCREWS
10	POURING WEIGHT	47	CONNECTING HOUSING SPACER
11	ROPE	48	CONNECTING HOUSING(SUBMIT)
12	SHRINK-RING OF ROPE	49	MICROSWITCH
13	LIFT HOOK	50	SWITCH SHAFT
14	SPACING RACK	51	PLACES TERMINAL BLOCK
15	HEX SOCKET SCREW	52	WIRE CLIP
16	SHAFT OF ROPE TUBE	53	PRESSING TIGHT NUT
17	WASHER	54	GROUDING SHEET
18	SQUARE KEY	55	THREE-CORE PLUG
19	CIRCLIP FOR SHAFT Ø17	56	FOUR CORE CABLE
20	BEARING (60203)	57	PLUG-IN SHEET
21	CROSS RECESSED PAN HEAD SCREWS	58	SLEEVE OF PLUG-IN SHEET
22	GEAR BOX	59	CROSS RECESSED PAN HEAD TAPPING SCREWS
23	HEX SOCKET SCREW	60	HANDLE BASE
24	SPRING WASHER Ø5	61	HANDLE SEALED LOOP
25	GRADE 2 GEAR	62	CAPACITOR
26	SPACEE	63	HANDLE COVER
27	BEARING (60201)	64	EMERGENCY STOP SWITCH
28	INTERMEDIATE SHAFT	65	POSITIVE AND NEGATIVE SWITCH
29	GRADE 1 GEAR	66	SWITCH COVER
30	FRONT COVER	67	SWITCH LOOP
31	BEARING (80202)	68	CYLINDER PIN
32	ROTOR	69	CLAMP CONNECTER
33	STATOR	70	PULLEY CLAMP
34	CHASSIS	71	PULLEY
35	SPRING	72	PLAIN WASHER Ø10
36	BRAKE HOOP	73	NUT
37	GEAR COVER		