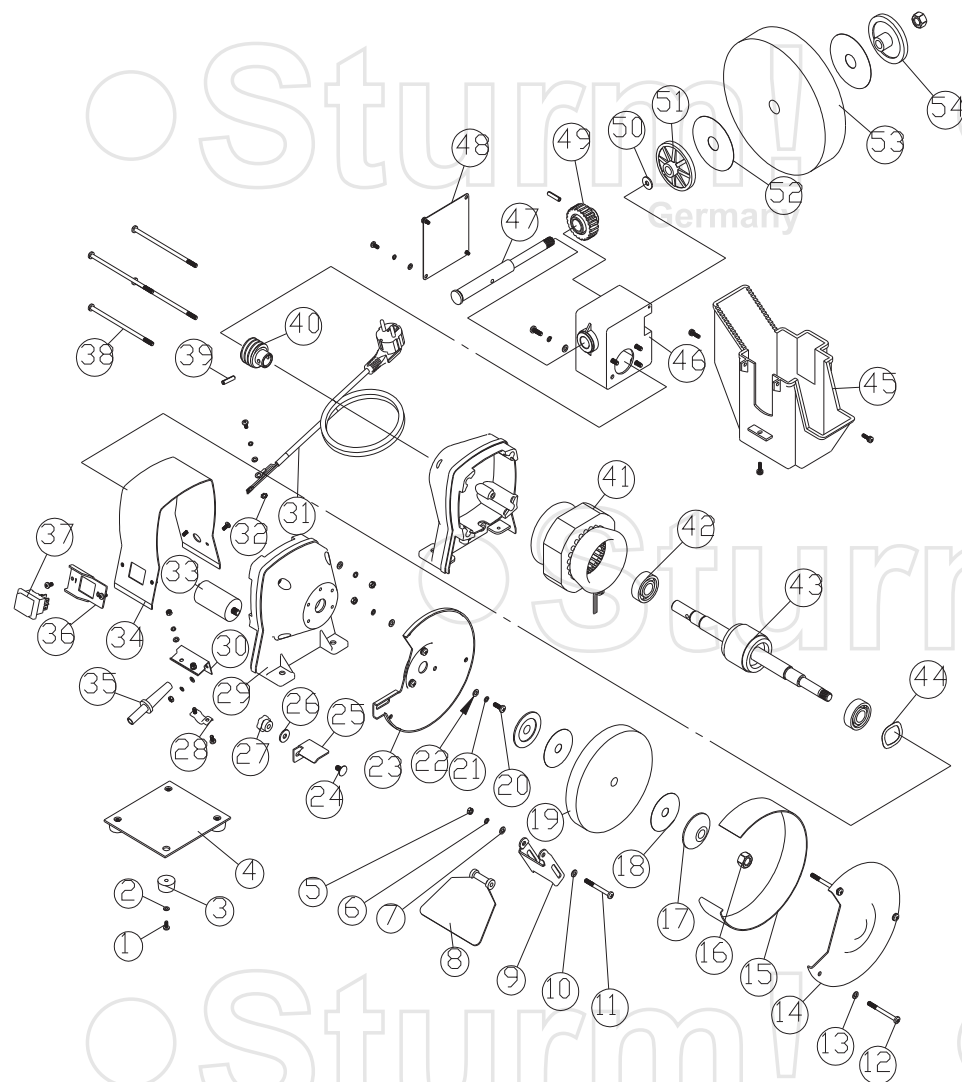


BG6020A



NO.	DESCRIPTION	NO.	DESCRIPTION
1	SCREW	28	CORD CLAMP
2	WASHER	29	MOTOR COVER
3	RUBBER FEET	30	CLAMP BRACKET
4	BASE PLATE	31	CORD & PLUG
5	NUT	32	TOOTH WASHER
6	SPRING WASHER	33	CAPACITOR
7	WASHER	34	MOTOR MIDDLE COVER
8	EYE SHIELD	35	CORD SLEEVE
9	EYE SHIELD BRACKET	36	SWITCH PLATE
10	WASHER	37	SWITCH
11	BOLT	38	BOLT
12	BOLT	39	PIN
13	WASHER	40	WORM WHEEL
14	OUTER GUARD	41	STATOR
15	RING GUARD	42	BEARING 6203Z
16	NUT	43	ROTOR
17	FLANGE	44	UNDEE WASHER
18	NAMEPLATE OF WHEEL	45	WATER TROUGH
19	WHEEL	46	WORM GEAR BASE
20	SCREW	47	AXIS OF WORM GEAR
21	SPRING	48	COVER
22	WASHER	49	WORM GEAR
23	INNER GUARD	50	WASHER
24	SQARE NECK SCREW	51	FLANGE
25	TOOL REST	52	NAMEPLATE OF WHEEL
26	TOOTH WASHER	53	WET WHEEL
27	KNOB	54	FLANGE

RU59701