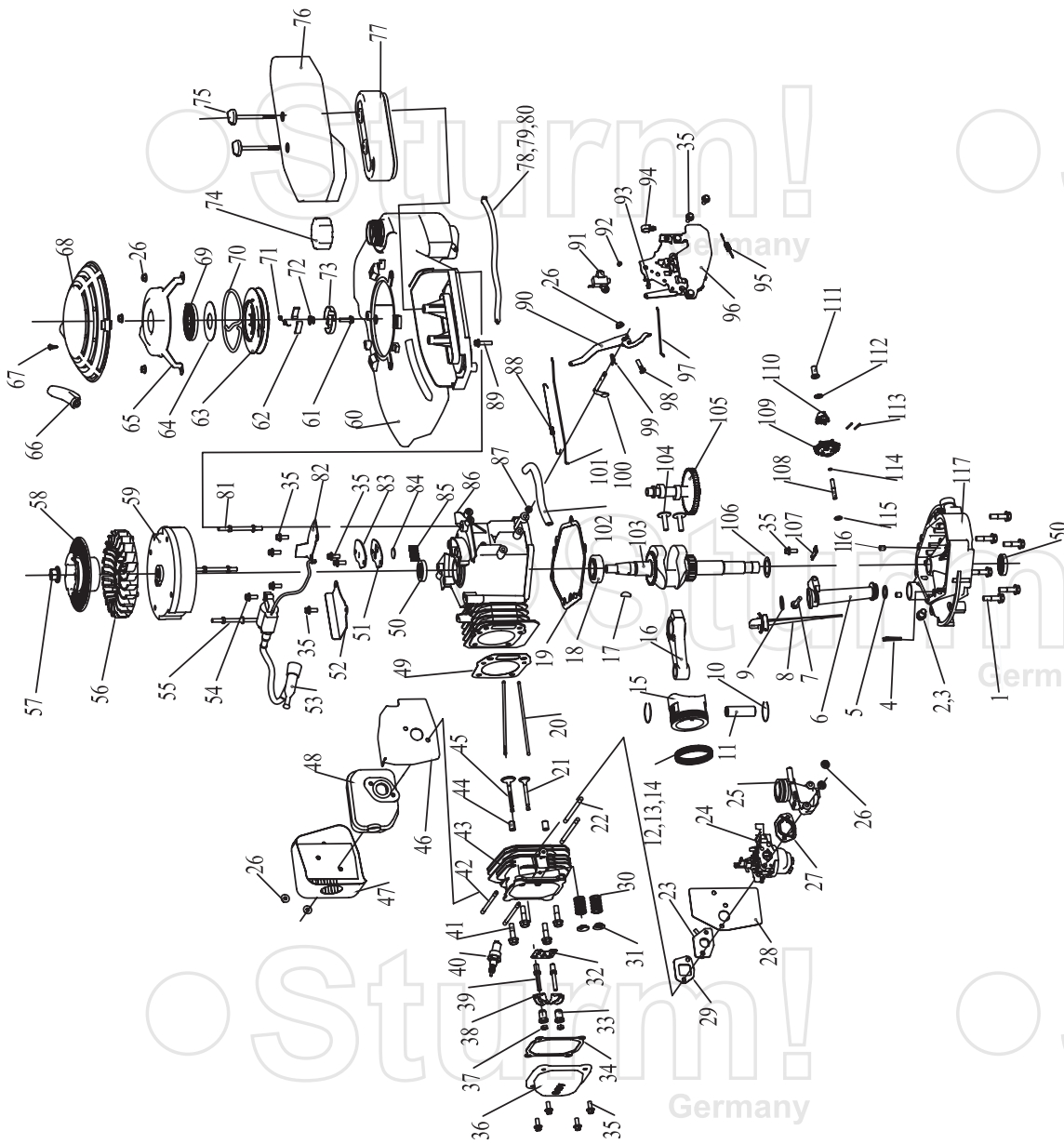


BLM8660

NO.	DESCRIPTION	NO.	DESCRIPTION
1	ENGINE	35	BOLT M6X15
2	SECTOR GASKET	36	RIGHT ROPREATING GRIP
3	SPRING WASHAR	37	SUPPORT BOARD
4	BOLT M8X35	38	PLAIN WASHER
5	SHAFT COUPLING	39	SPRING WASHAR
6	BAKELITE GASKET	40	NUT M6
7	BLADE	41	LINK ROD TENSION SPRING
8	SADDLE SHAPED GASKET	42	ENGINE SUPPORT
9	BOLT M8X1.25X45	43	LNITIATIVE WHEEL COVER
10	PIN5X20	44	LEFT OPREATING GRIP
11	LINK ROD	45	TORSION SPRING
12	RUBBER BUSH	46	DUST GUARD
13	SELF-THREADING SCREW	47	BOLT M8X45
14	FORE AXLE MODULE	48	GRIP SUPPOR
15	BEARING	49	HAND WHEEL
16	FRONT WHEEL	50	BOLT M8X50
17	PLAIN WASHER	51	GUIDE PLATE
18	NUT M8	52	CUP OF STRAW COLLECTING BOX
19	WHEEL AXLE CUP	53	SUPPORT AXLE
20	CALM KEY	54	STRAW-COLLECTING BOX
21	BOLT M5X15	55	BOLT M6X60
22	PLAIN WASHER	56	WASHER
23	SPRING WASHAR	57	SPEED CONTROL LEFT-PLATE
24	NUT M5	58	SPEED CONTROL GRIP
25	BACK AXLE MODULE	59	SPEED CONTROL RIGHT-PLATE
26	BACK WHEEL	60	THROTTLE WIRE MODULE
27	UNCORK BAFFLE	61	THROTTLE WIRE MODULE HOLDER
28	RIGHT DRIVE GEAR WHEEL	62	BOLT M5X32
29	COLUMNIFORM DOWEL	63	BRANK LEVER HOLDER
30	RUBBER BUSH	64	HAND GRIP
31	LIFTING ARM	65	BLADE CONTROL LEVER
32	LINING	66	BRAKE WIRE MODULE
33	UNCORK BAFFLE	67	BRAKE WIRE MODULE HOLDER
34	AXLE CUP	68	CORD HOOK

RU70117-1



ENGINE FOR BLM8660

NO.	DESCRIPTION	NO.	DESCRIPTION	NO.	DESCRIPTION
1	FLANGE BOLT M8X50	41	FLANGE BOLT M8X50	81	STARTER BOLT <II>
2	DRAIN PLUG BOLT	42	BOLT M6X96.5	82	SHROUD <I>
3	DRAIN PLUG WASHER	43	CYLINDER HEAD COMP	83	VENTILATOR COVER
4	FLASHBOARD	44	DOWEL PIN 10X16	84	BOARD
5	"O" RING 22.5X2.2	45	IN. VALVE	85	DROSS FILTER
6	OIL FILLER SEAT	46	MUFFLER GASKET	86	CRANKCASE ASSY
7	FLANGE BOLT M6X35	47	MUFFLER PROTECTOR COMP	87	OIL SEAL 6X11X4
8	OIL FILLER CAP ASSY	48	MUFFLER GASKET	88	THROTTLE RETURN SPRING
9	"O" RING 25.5X3	49	CYLINDER HEAD GASKET	89	BOLT M6X35
10	PISTON PIN CLIP	50	OIL SEAL 25X38X7	90	GOVERNOR ARM
11	PISTON PIN	51	PACKING	91	SWITCH
12	FIRST RING SET	52	SHROUD <II>	92	BOLT
13	SECOND RING SET	53	IGNITER	93	CLIP
14	OIL RING SET COMP	54	FLANGE BOLT M6X29	94	CLIP
15	PISTON	55	STARTER BOLT <I>	95	GOVERNOR SPRING
16	CONNECTING ROD ASSY	56	COOLING FAN	96	CONTROL ASSY
17	CIRCULAR KEY	57	SPECIAL NUT M14	97	CHOKE ROD
18	RADIAL BALL BEARING	58	STARTER PULLEY COMP	98	GOVERNOR ARM BOLT
19	CASE COVER PACKING	59	FLYWHEEL COMP	99	PIN CLIP
20	PUSH ROD	60	FAN COVER COMP	100	COVER ARM SHAFT
21	EX. VALVE	61	RATCHET GUIDE BOLT	101	GOVERNOR ROD
22	BOLT M6X113	62	RATCHET	102	BREATHER TUBE
23	CARBURETOR INSULATOR	63	RECOIL STARTER REEL	103	CRANKSHAFT COMP
24	CARBURETOR ASSY	64	WASHER	104	VALVE LIFTER
25	INTAKE PIPE ASSY	65	RECOIL STARTER CASE COMP	105	CAMSHAFT ASSY
26	NUT M6	66	GRIP	106	CRANKSHAFT COMP WASHER
27	AIR CLEANER PACKING	67	BOLT	107	PRESSURE PLATE
28	CARBURETOR PACKING	68	RECOIL STARTER CASE COMP CAP	108	GOVERNOR SHAFT
29	INSULATOR PACKING	69	STARTER RETURN SPRING	109	GOVERNOR WEIGHT HOLDER
30	VALVE SPRING	70	RECOIL STARTER ROPE	110	GOVERNOR WEIGHT
31	VALVE SPRING RETAINER	71	RATCHET SPRING	111	GOVERNOR SLIDER
32	PUSH ROD GUIDE PLATE	72	RATCHET GUIDE SPRING	112	WASHER 6.2X15X0.5
33	ROCKET ARM PIVOT	73	RATCHET GUIDE	113	GOVERNOR WEIGHT PIN
34	HEAD COVER COMP	74	FUEL FILLER CAP COMP	114	CLIP
35	FLANGE BOLT M6X12	75	AIR CLEANER BOLT	115	WASHER 6.4X13X1
36	HEAD COVER COMP	76	AIR CLEANER ELEMENT	116	DOWEL PIN 8X14
37	PIVOT ADJUSTING NUT	77	AIR CLEANER COVER	117	CRANKCASE COVER
38	VALVE ROCKER ARM	78	FUEL TUBE		
39	PIVOT BOLT	79	TUBE CLIP		
40	SPARK PLUG	80	TUBE CLIP		