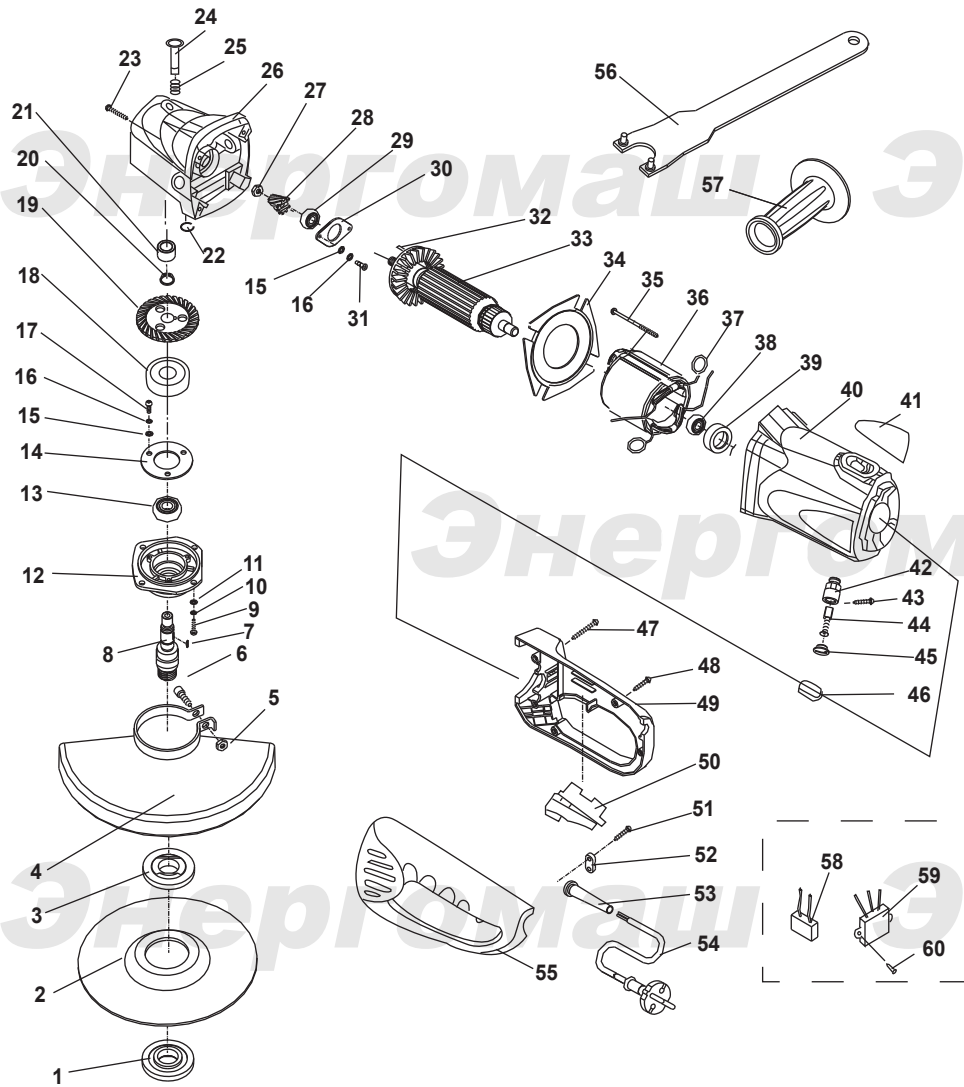


AG923HH



NO.	DESCRIPTION	NO.	DESCRIPTION
1	WHEEL NUT	31	SCREW
2	GRINDING WHEEL	32	WOODRUFF KEY
3	LOCATING WASHER	33	ROTOR
4	WHEEL GUARD	34	WIND GUARD
5	SQUARE NUT	35	SELF-TAPPING SCREW
6	HEX HEAD SCREW	36	STATOR
7	WOODRUFF KEY	37	LINK SPRING
8	SPINDLE	38	BEARING 629
9	SCREW	39	BEARING BUSHING
10	SPRING WASHER	40	HOUSING
11	PLAIN WASHER	41	TRADE MARK
12	FORE-COVER	42	BRUSH HOLDER
13	BEARING 6202	43	SELF-TAPPING SCREW
14	BEARING COVER	44	CARBON BRUSH
15	PLAIN WASHER	45	BRUSH HOLDER CAP
16	SPRING WASHER	46	TECHNICS COVER
17	SCREW	47	SELF-TAPPING SCREW
18	SHEATH OF SHAFT	48	SELF-TAPPING SCREW
19	BIG GEAR	49	RIGHT HANDLE
20	CIRCLIP FOR SHAFT	50	SWITCH
21	NEEDLE BEARING HK101610	51	SELF-TAPPING SCREW
22	CIRCLIP FOR SHAFT	52	CABLE CLAMP
23	SELF-TAPPING SCREW	53	CABLE ANCHORAGE
24	SELF-LOCKING PIN	54	CABLE & PLUG
25	SELF-LOCKING SPRING	55	LEFT HANDLE
26	GEAR BOX	56	SPANNER
27	ARRESTING NUT	57	SIDEHANDLE
28	PINION GEAR	58	CAPACITOR
29	BEARING 6001	59	SOFTSTART
30	BEARING COVER	60	SELF-TAPPING SCREW