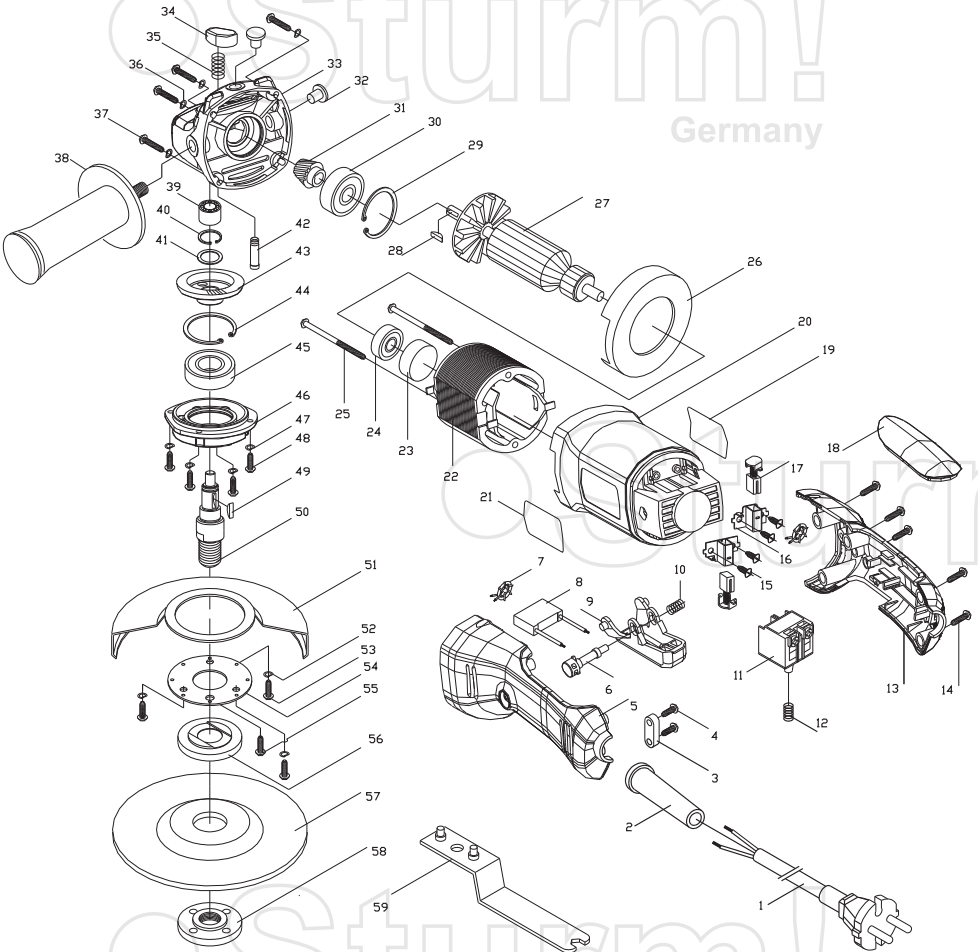


AG9515



NO.	DESCRIPTION	NO.	DESCRIPTION
1	POWER CORD&PLUG	31	PINION GEAR
2	CORD SLEEVE	32	RUBBER BLOCK
3	ANCHORAGE	33	GEAR BOX
4	SCREW	34	SELF-LOCK CAP
5	LEFT HANDLE	35	SPRING
6	LOCK BUTTON	36	SPRING WASHER
7	INDUCTOR	37	SCREW
8	CAPACITOR	38	SIDE HANDLE
9	TRIGGER	39	BUCH
10	SPRING	40	CIRCLIP
11	SWITCH	41	WAVE WASHER
12	SPRING	42	SELF-LOCK PIN
13	RIGHT HANDLE	43	BIG GEAR
14	SCREW	44	CIRCLIP
15	SCREW	45	BEARING 6002Z
16	BRUSH HOLDER	46	FRONT COVER
17	CARBON BRUSH	47	SPRING WASHER
18	HANDLE COVER	48	SCREW
19	LABEL	49	WOODRUFF KEY
20	HOUSING	50	OUTER SHAFT
21	LABEL	51	PROTECTING GUARD
22	STATOR	52	SPRING WASHER
23	BEARING COVER	53	SCREW
24	BEARING 608Z	54	FIX SHEET
25	SCREW	55	SCREW
26	WIND GUARD	56	INNER FLANGE
27	ROTOR	57	DISK
28	WOODRUFF KEY	58	OUT FLANGE
29	CIRCLIP	59	SPANNER
30	BEARING 6200Z		

RU5121501