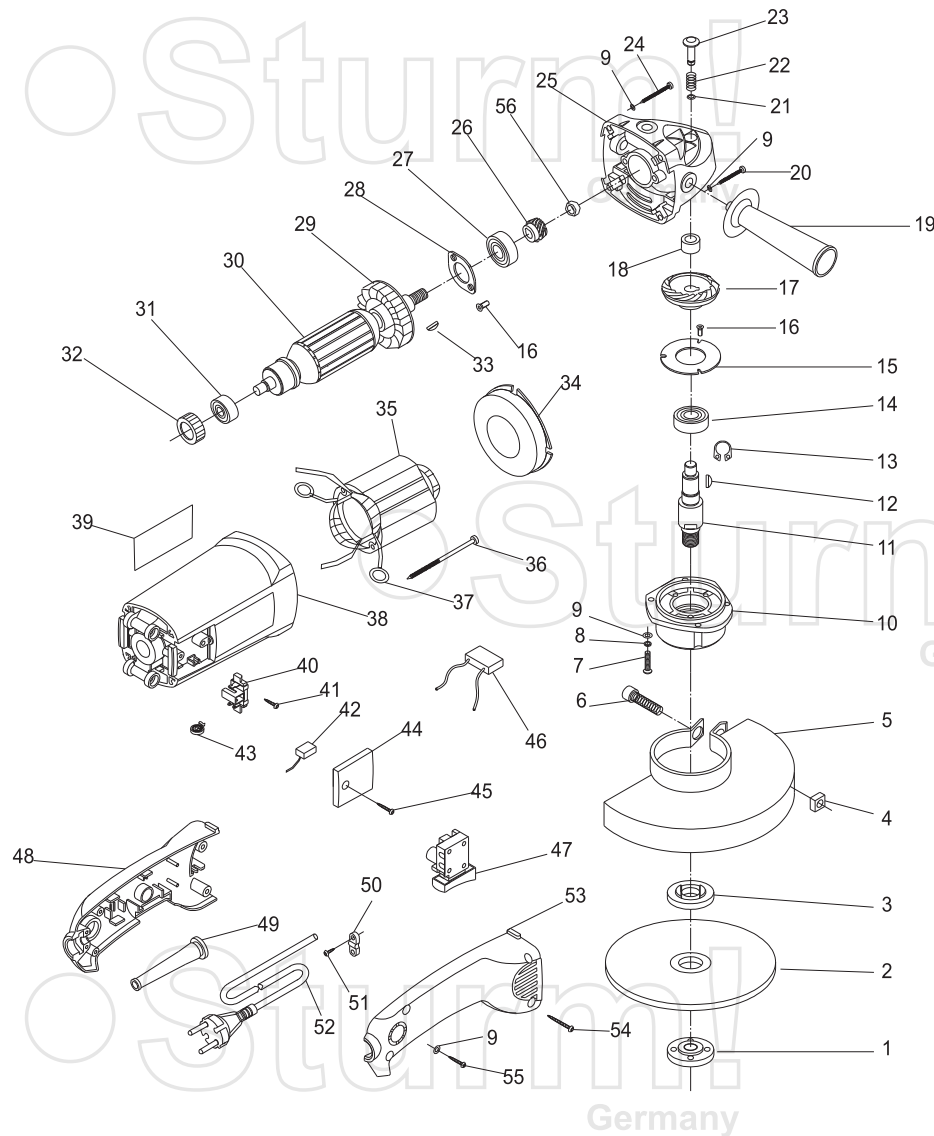


# AG9515N



NO.	DESCRIPTION	NO.	DESCRIPTION
1	OUTSIDE FLANGE	29	FAN
2	GRINDER DISC	30	ROTOR
3	INNER FLANGE	31	BEARING 608Z
4	NUT	32	BUSH
5	WHEEL GUARD	33	KEY
6	SCREW	34	WIND GUARD
7	SCREW	35	STATOR
8	SPRING WASHER	36	SCREW
9	WASHER	37	ELECTRIC RING
10	GEAR BOX COVER	38	HOUSING
11	SPINDLE	39	BRAND NAME
12	KEY	40	BRUSH HOLDER
13	CIRCLIP	41	SCREW
14	BEARING 6202Z	42	CARBON BRUSH
15	BEARING COVER	43	SPRING
16	SCREW	44	BRUSH CAP
17	BIG GEAR	45	SCREW
18	SELF-OIL BUSH	46	CAPACITOR
19	SIDE HANDLE	47	SWITCH
20	SCREW	48	HANDLE
21	SPRING WASHER	49	CORD SLEEVE
22	SPRING	50	CORD CLAMP
23	LOCK PIN	51	SCREW
24	SCREW	52	CORD & PLUG
25	GEAR BOX	53	HANDLE
26	PINION	54	SCREW
27	BEARING 6001Z	55	SCREW
28	BEARING COVER	56	NUT

RU59301