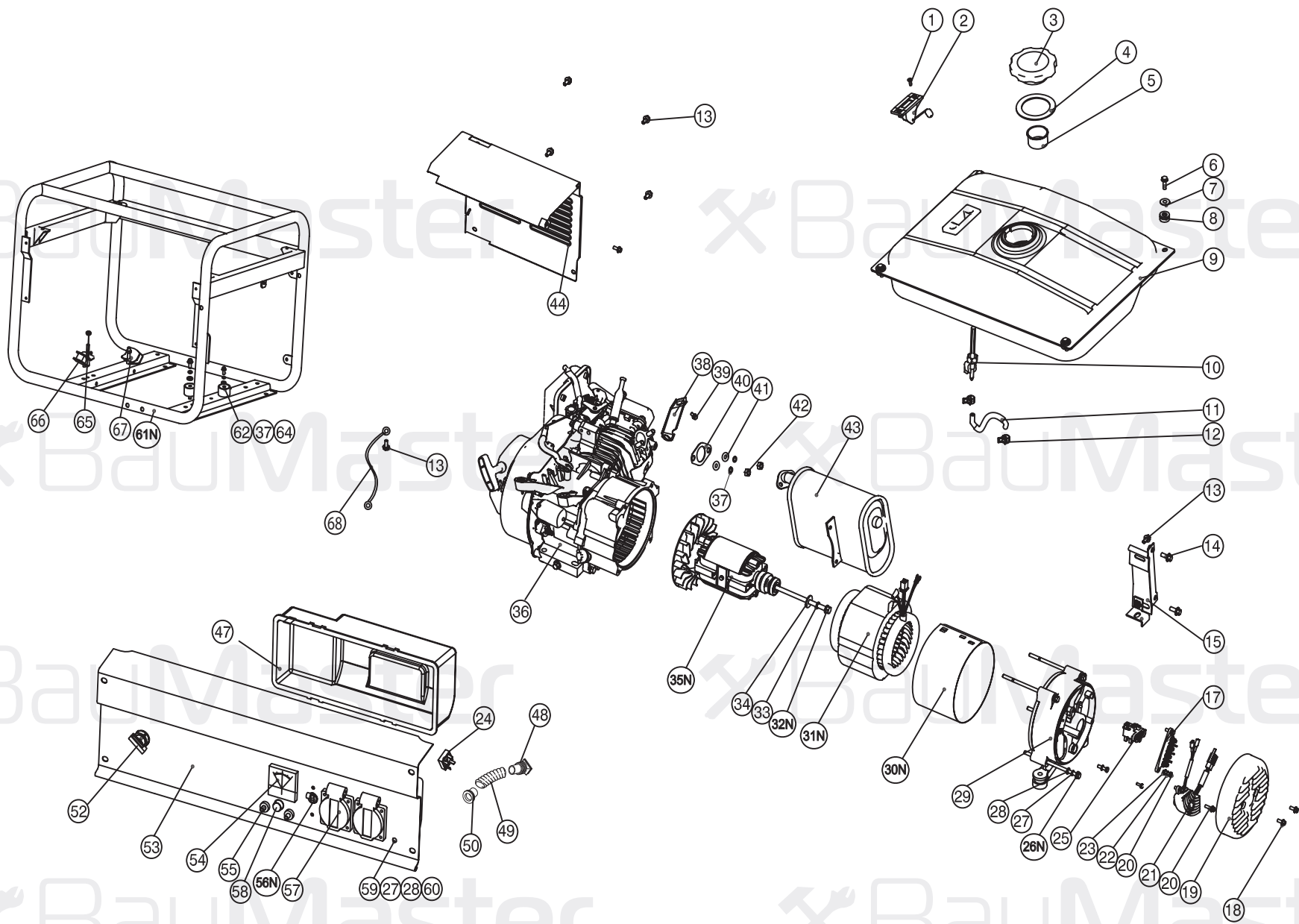


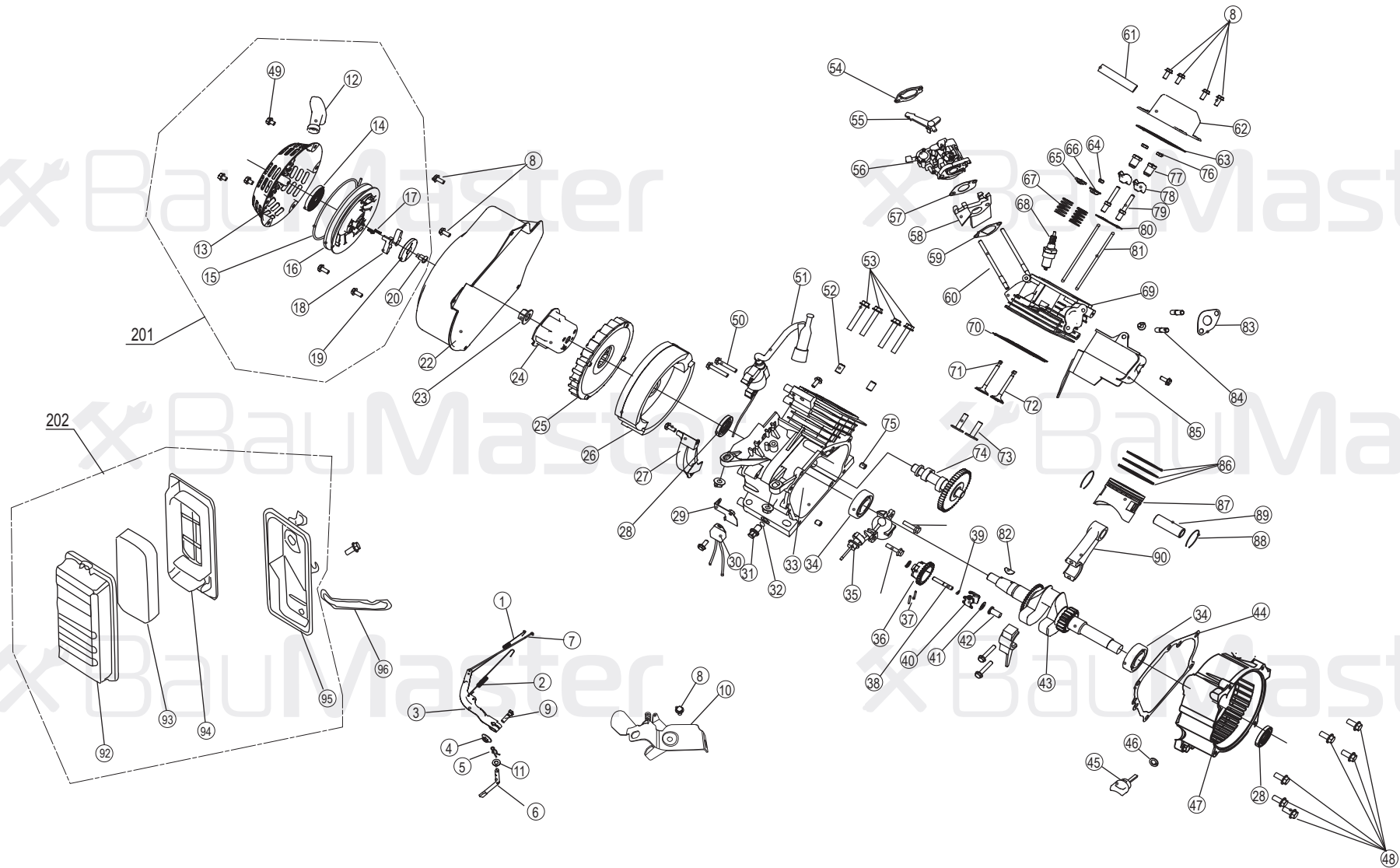
PG-8720X、PG-8725X、PG-8730X



PG-8720X PG-8725X PG-8730X

NO.	DECRPTION	MATERIAL Nr.			NO.	DECRPTION	MATERIAL Nr.			NO.	DECRPTION	MATERIAL Nr.		
		PG-8720X	PG-8725X	PG-8730X			PG-8720X	PG-8725X	PG-8730X			PG-8720X	PG-8725X	PG-8730X
1	SCREW M5×10	PG0001			29	END COVER	PG0029			58	DC.10A CIRCUIT BREAKERS	PG0058		
2	FUEL METER ASSY	PG0002			30N	STATOR COVER	PG0030AN	PG0030BN	PG0030CN	59	BOLT M6×22	PG0059		
3	FUEL TANK CAP	PG0003			31N	STATOR ASSY	PG0031AN	PG0031BN	PG0031CN	60	NUT M6	PG0060		
4	O RING	PG0004			32N	FLANGE BOLT	PG0032AN	PG0032BN	PG0032CN	61N	FRAME	PG0061AN	PG0061BN	PG0061CN
5	FUEL FILTER	PG0005			33	SPRING WASHER Φ8	PG0033			62	STRAIGHT BOTTOM RUBBER	PG0062		
6	FLANGE BOLT M6×20	PG0006			34	WASHER Φ8	PG0034			64	FLANGE BOLT M8×35	PG0064		
7	WASHER Φ6.5	PG0007			35N	ROTOR COMP	PG0035AN	PG0035BN	PG0035CN	65	NUT M8	PG0065		
8	TANK RUBBER	PG0008			36	ENGINE	PG0036AN	PG0036BN	PG0036CN	66	BOTTOM RUBBER I	PG0066		
9	FUEL TANK	PG0009			37	SPRING WASHER Φ8	PG0037			67	BOTTOM RUBBER II	PG0067		
10	FUEL COCK	PG0010			38	AIR CLEANER STAY	PG0038			68	EARTH LINE	PG0068		
11	FUEL LINE	PG0011			39	FLANGE BOLT M6×8	PG0039							
12	CLIP	PG0012			40	MUFFLER GASKET	PG0040							
13	FLANGE BOLT M6×12	PG0013			41	WASHER Φ8	PG0041							
14	FLANGE BOLT M8×20	PG0014			42	NUT M8	PG0042							
15	MUFFLER STAY	PG0015			43	MUFFLER	PG0043A	PG0043B	PG0043C					
17	TERMINAL	PG0017			44	MUFFLER COVER	PG0044							
18	FLANGE BOLT M5×12	PG0018			47	CONTROL BOX	PG0047							
19	GENERATOR END COVER	PG0019			48	PLASTIC SLEEVE	PG0048							
20	FLANGE BOLT M5×16	PG0020			49	RIPPLE PIPE	PG0049							
21	AVR	PG0021			50	PLASTIC SLEEVE	PG0050							
22	SPRING WASHER Φ5	PG0022			52	SWITCH	PG0052A							
23	WASHER Φ5	PG0023			53	CONTROL PANEL	PG0053							
24	RECTIFIER	PG0024			54	VOLT METER	PG0054							
25	BRUSH ASSY	PG0025			55	RED POSITIVE TERMINAL	PG0055							
26N	FLANGE BOLT	PG0026AN	PG0026BN	PG0026CN		BLACK NEGATIVE TERMINAL								
27	SPRING WASHER Φ6	PG0027			56N	AC CIRCUIT BREAKERS	PG0056AN	PG0056BN	PG0056CN					
28	WASHER Φ6	PG0028			57	AC RECEPTACLE	PG0057							

Engine for PG-8720X、PG-8725X、PG-8730X



Engine for PG-8720X、PG-8725X、PG-8730X、

No.	DESCRIPTION	MATERIAL Nr.		No.	DESCRIPTION	MATERIAL Nr.		No.	DESCRIPTION	MATERIAL Nr.	
		PG-8720X PG-8725X	PG-8730X			PG-8720X PG-8725X	PG-8730X			PG-8720X PG-8725X	PG-8730X
1	THROTTLE RETURN SPRING	PGE0001		41	GOVERNOR SHAFT WASHER	PGE0041		80	PUSH ROD GUIDE PLATE	PGE0080	
2	GOVERNOR SPRING	PGE0002		42	GOVERNOR COVER	PGE0042		81	PUSH ROD	PGE0081A	PGE0081B
3	GOVERNOR ARM	PGE0003		43	CRANKSHAFT COMP	PGE0043A	PGE0043B	82	KEY	PGE0082	
4	NUT M6	PGE0004		44	CASE OVER GASKET	PGE0044		83	MUFFLER GASKET	PGE0083	
5	LOCK PIN	PGE0005		45	OIL FILLER CAP ASSEMBLY	PGE0045		84	STUD BOLT	PGE0084	
6	GOVERNOR ARM SHAFT	PGE0006		46	OIL FILLER CAP GASKET	PGE0046		85	SHROUD COMP	PGE0085	
7	GOVERNOR ROD	PGE0007		47	CRANKCASE COVER	PGE0047		86	FIRST RING SET	PGE0086	
8	FLANGE BOLT M6X12	PGE0008		48	FLANGE BOLT M8X25	PGE0048			SECOND RING SET		
9	GOVERNOR ARM BOLT	PGE0009		49	FLANGE BOLT M6X8	PGE0049			RING COMP		
10	CONTROL ASSEMBLY	PGE0010		50	FLANGE BOLT M6X25	PGE0050		87	PISTON	PGE0087A	PGE0087B
11	GOVERNOR WASHER	PGE0011		51	IGNITOR	PGE0051		88	PISTON PIN CLIP	PGE0088	
12	RECOIL STARTER KNOB	PGE0012		52	DOWEL PIN 10X16	PGE0052		89	PISTON PIN	PGE0089	
13	RECOIL STARTER COMP	PGE0013		53	FLANGE BOLT M8X28	PGE0053		90	CONNECTING ROD COMP	PGE0090	
14	RECOIL STARTER SPRING	PGE0014		54	CARBURETOR WASHER	PGE0054		92	AIR CLEANER COVER	PGE0092	
15	RECOIL STARTER ROPE	PGE0015		55	CHOKE LEVEL COMP	PGE0055		93	AIR CLEANER ELEMENT	PGE0093	
16	RECOIL STARTER REEL	PGE0016		56	CARBURETOR ASSEMBLY	PGE0056A	PGE0056B	94	AIR CLEANER GRID	PGE0094	
17	RETURN SPRING	PGE0017		57	CARBURETOR GASKET	PGE0057		95	AIR CLEANER BRACKET	PGE0095	
18	STARTER RATCHET	PGE0018		58	CARBURETOR INSULATOR	PGE0058		96	AIR CLEANER BACK PLATE	PGE0096	
19	RATCHET GUIDE	PGE0019		59	INSULATOR GASKET	PGE0059		201	STARTER ASSEMBLY(12+13+....20+49)	PG201	
20	SETTING SCREW	PGE0020		60	STUD BOLT M6X113	PGE0060		202	AIR CLEANER ASSEMBLY(92+93+94+95)	PG202	
22	FAN COVER COMP	PGE0022		61	BREATHER TUBE	PGE0061					
23	NUT M14	PGE0023		62	HEAD OVER COMP	PGE0062					
24	START HUB	PGE0024A	PGE0024B	63	HEAD OVER GASKET	PGE0063					
25	COOLING FAN	PGE0025		64	VALVE ROTATOR	PGE0064					
26	FLY WHEEL	PGE0026		65	INTAKE VALVE SPRING RETAINER	PGE0065					
27	SIDE PLACE	PGE0027		66	EXHAUST VALVE SPRING RETAINER	PGE0066					
28	OIL SEAL	PGE0028		67	VALVE SPRING	PGE0067					
29	DIODE BASE COMP	PGE0029		68	SPARK PLUG	PGE0068					
30	DIODE COMP	PGE0030		69	CYLINDER HEAD COMP	PGE0069A	PGE0069B				
31	DRAIN PLUG BOLT	PGE0031		70	CYLINDER HEAD GASKET	PGE0070A	PGE0070B				
32	DRAIN BOLT WASHER	PGE0032		71	INTAKE VALVE	PGE0071					
33	CRANKCASE	PGE0033A	PGE0033B	72	EXHAUST VALVE	PGE0072					
34	RADIAL BALL BEARING 6205	PGE0034		73	VALVE LIFTER	PGE0073A	PGE0073B				
35	OIL LEVEL SWITCH ASSY	PGE0035		74	CAMSHAFT ASSEMBLY	PGE0074A	PGE0074B				
36	GOVERNOR WEIGHT HOLDER	PGE0036		75	DOWEL PIN 8X14	PGE0075					
37	GOVERNOR WEIGHT PIN	PGE0037		76	PIVOT ADJUSTING NUT	PGE0076					
38	GOVERNOR SHAFT	PGE0038		77	ROCKER ARM PIVOT	PGE0077					
39	GOVERNOR HOLDER CLIP	PGE0039		78	VALVE ROCKER ARM	PGE0078					
40	GOVERNOR WEIGHT	PGE0040		79	PIVOT BOLT	PGE0079					