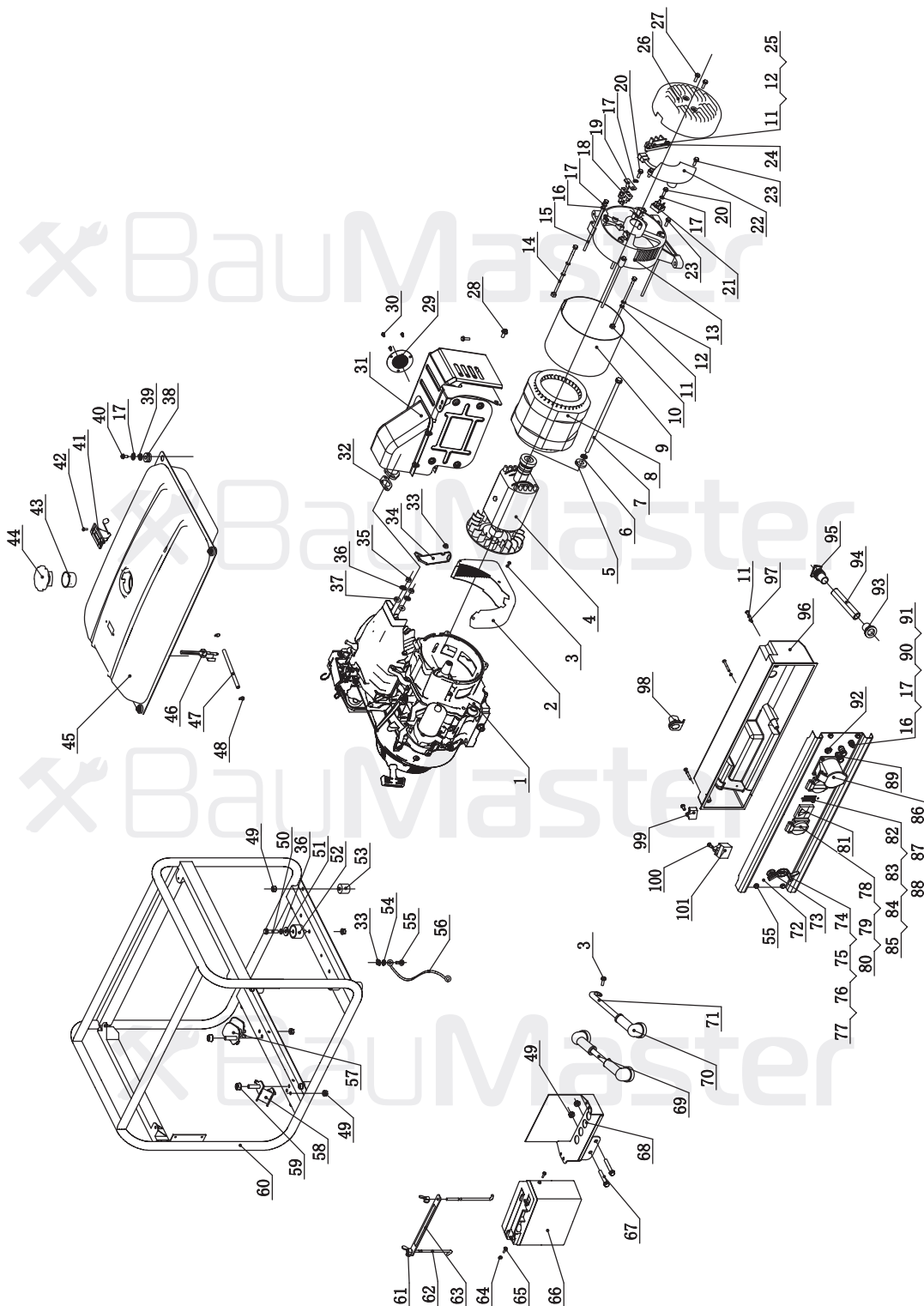
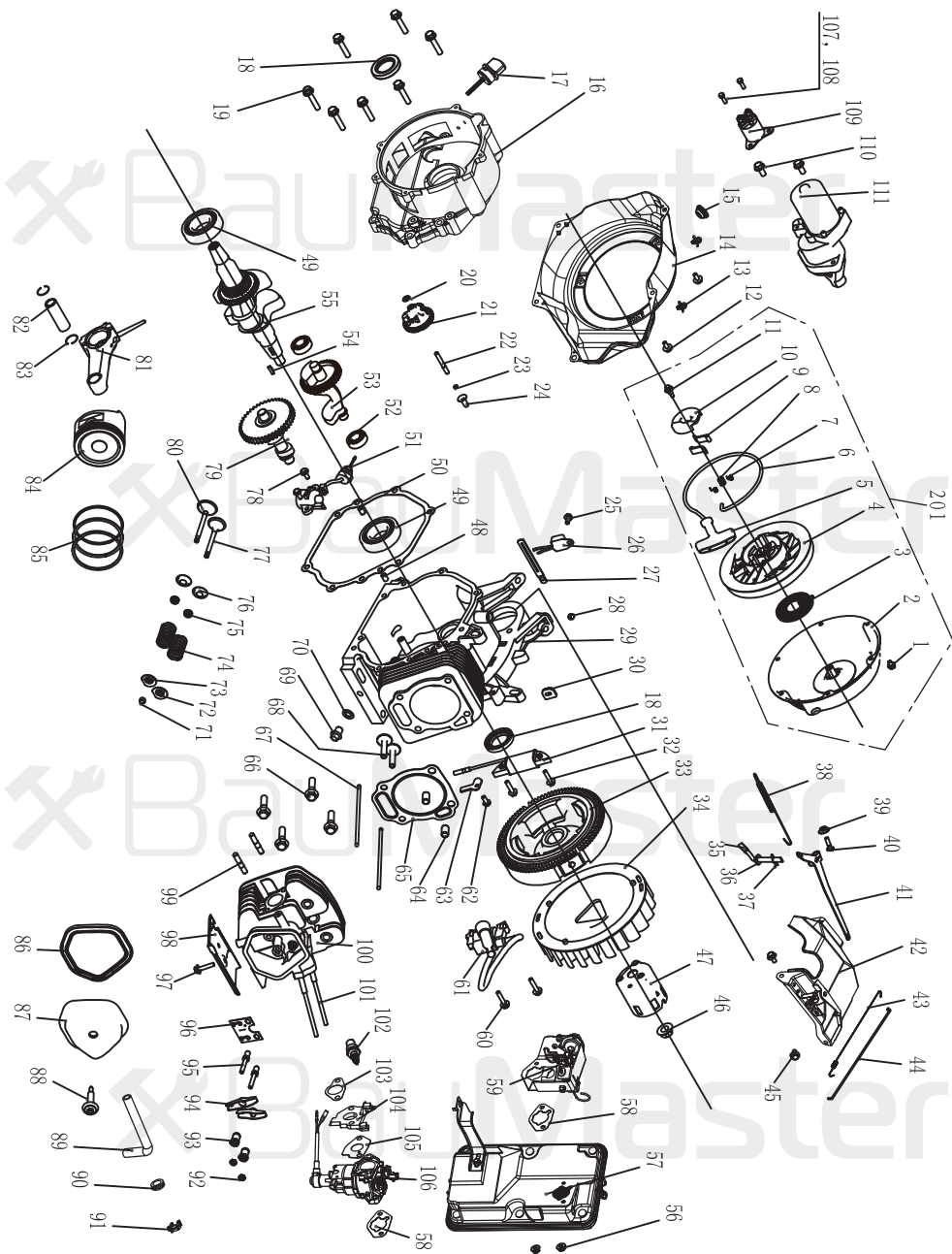


# PG-8755EX



NO.	DESCRIPTION	NO.	DESCRIPTION
1	ENGINE	52	MOUNT RUBBER,END
2	AIR GUIDE	53	FRAME RUBBET
3	FLANGE BOLT M6×8	54	WASHER Φ6
4	ROTOR ASSEMBLY	55	FLANGE BOLT M6×12
5	WASHER Φ10	56	GROUND WIRE
6	LOCKING WASHER Φ10	57	MOTOR MOUNT II
7	FLANGE BOLT M10×275	58	MOTOR MOUNT I
8	STATOR ASSEMBLY	59	NUT M10
9	STATOR COVER	60	FRAME
10	NUT M5	61	BUTTERFLY NUT M6
11	WASHER Φ5	62	CURVE POLE M6×150
12	LOCKING WASHER Φ5	63	BATTERY SETTING PLATE
13	END HOUSING	64	NUT M5
14	FLANGE BOLT M5×222	65	BOLT AND WASHER ASSEMBLY
15	FLANGE BOLT M6×189	66	BATTERY12V15AH
16	WASHER Φ6	67	FLANGE BOLT M8×50
17	LOCKING WASHER Φ10	68	BATTERY GUARD
18	CARBON BURSH ASSEMBLY	69	RED WIRE,BATTERY
19	PINCH	70	JACKET
20	BOLT M5×20	71	BLACK WIRE,BATTERY
21	DIODE ASSEMBLY	72	CONTROL PANEL
22	AVR	73	SWITCH
23	FLANGE BOLT M5×16	74	2A BREAKER
24	TERMINAL	75	SCREW M3X20
25	BOLT M5×16	76	LOCKING WASHER Φ3
26	GENERATOR END COVER	77	WASHER Φ3
27	FLANGE BOLT M5×12	78	RECEPTACLE
28	FLANGE BOLT M8×20	79	SCREW M4×14
29	SPARK ARRESTER ASSY	80	NUT M4
30	SCREWM5×12	81	VOLT METER
31	MUFFLER ASSEMBLY	82	A.C BREAKER
32	MUFFLER GASKET	83	SCREW M3X6
33	NUT M6	84	WASHER Φ3
34	HOLDER,AIR CLEANER	85	LOCKING WASHER Φ3
35	NUT M8	86	RECEPTACLE
36	LOCKING WASHER Φ8	87	SCREW M5×16
37	WASHER Φ8	88	NUT M4
38	MOUNT RUBBER,FUEL TANK	89	RED POSITIVE TERMINAL BLACK NEGATIVE TERMINAL
39	WASHER Φ6	90	BOLT M6×22
40	FLANGE BOLT M6×20	91	NUT M6
41	FUEL METER ASSEMBLY	92	D.C 10A BREAKER
42	SCREW M5×10	93	PLUG
43	FUEL FILTER	94	SHEATH,WIRE
44	FUEL TANK CAP	95	PLUG
45	FUEL TANK	96	CONTROL BOX
46	FUEL COCK	97	SCREWM5×38
47	PIPE,FUEL (LENGTH 6.7IN)	98	PLUG
48	CLIP	99	CHARGER
49	NUT M8	100	SCREWM5×14
50	FLANGE BOLT M8×35	101	RECTIFIER
51	BIG WASHER Φ8		



## ENGINE FOR PG-8755EX

No.	DESCRIPTION	No.	DESCRIPTION	No.	DESCRIPTION
1	FLANGE BOLT M6×8	44	GOVERNOR ROD	86	HEAD OVER PACKING
2	RECOIL STARTER COMP	45	FLANGE BOLT M6×12	87	HEAD OVER COMP
3	RECOIL STARTER SPRING	46	NUT M14	88	HEAD OVER BOLT COMP
4	RECOIL STARTER REEL	47	START HUB	89	BREATHER TUBE
5	RECOIL STARTER KNOB	48	DOWEL PIN Φ8×14	90	BREATHER TUBE SHEATH
6	RECOIL STARTER ROPE	49	RADIAL BALL BEARING 6207	91	STRING CLIP
7	RATCHET SPRING	50	CASE OVER PACKING	92	PIVOT ADJUSTING NUT
8	RATCHET GUIDE SPRING	51	OIL LEVEL SWITCH ASSY	93	ROCKER ARM PIVOT
9	STARTER RATCHET	52	RADIAL BALL BEARING 6202	94	VALVE ROCKER ARM
10	RATCHET GUIDE	53	BALENCE SHAFT	95	PIVOT BOLT
11	RATCHET GUIDE SCREW	54	KEY	96	PUSH ROD GUIDE PLATE
12	FLANGE BOLT M6×12	55	CRANK COMP.	97	STUD BOLT M6×12
13	WIRE CLIP	56	NUT M6	98	SHROUD COMP
14	FAN COVER COMP	57	AIR CLEANER GENERAL ASSY.	99	STUD BOLT M8×34
15	RUBBER STUFF	58	CARBURETOR WASHER	100	CYLINDER HEAD COMP
16	CRANKCASE COVER	59	ENRICHMENT SET ASSY.	101	STUD BOLT 105
17	OIL FILLER CAP ASSEMBLY	60	FLANGE BOLT M6×29	102	SPARK PLUG
18	OIL SEAL	61	IGNITOR	103	INSULATOR PACKING
19	FLANGE BOLT M8×40	62	FLANGE BOLT M6×8	104	CARBURETOR INSULATOR
20	GOVERNOR SHAFT WASHER	63	WIRE FLAT	105	CARBURETOR PACKING
21	GOVERNOR GEAR COMP.	64	DOWEL PIN Φ12×20	106	CARBURETOR ASSEMBLY
22	GOVERNOR SHAFT	65	CYLINDER HEAD GASKET	107	SCREW M5×16
23	GOVERNOR HOLDER CLIP	66	FLANGE BOLT M10×80	108	SPRING WASHER
24	GOVERNOR COVER	67	PUSH ROD	109	RELAY
25	FLANGE BOLT M6×12	68	VALVE LIFTER	110	FLANGE BOLT M8×35
26	DIODE COMP	69	DRAIN PLUG BOLT	111	STARTTER ENGINE
27	WIRE CLIP	70	DRAIN BOLT WASHER	201	STARTER ASSEMBLY (1+...+11)
28	OIL SEAL	71	VALVE ROTATOR		
29	CRANKCASE	72	INTAKE VALVE SPRING RETAINER		
30	WIRE SHEATH	73	EXHAUST VALVE SPRING RETAINER		
31	ELECTRIFY COIL	74	VALVE SPRING		
32	FLANGE BOLT M6×29	75	VALVE OIL SEAL		
33	FLY WHEEL	76	VALVE SPRING WASHER		
34	COOLING FAN	77	INTAKE VALVE		
35	GOVERNOR ARM SHAFT	78	FLANGE BOLT M6×15		
36	GOVERNOR WASHER	79	CAMSHAFT ASSEMBLY		
37	LOCK PIN	80	EXHAUST VALVE		
38	GOVERNOR SPRING	81	CONNECTING ROD COMP		
39	NUT M6	82	PISTON PIN		
40	GOVERNOR ARM BOLT	83	PISTON PIN CLIP		
41	GOVERNOR ARM	84	PISTON		
42	SHROUD COMP	85	RING COMP. SECOND RING SET FIRST RING SET		
43	THROTTLE RETURN SPRING				