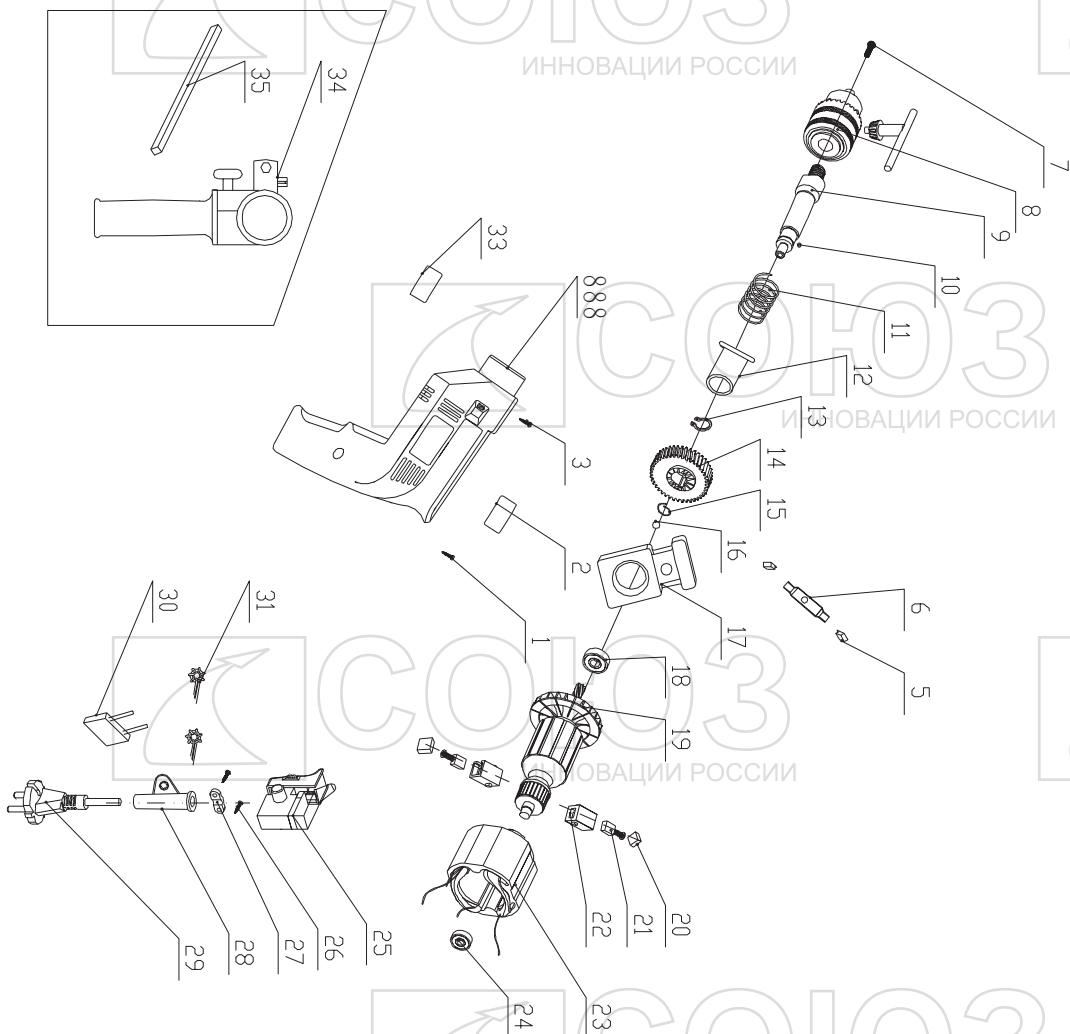


ДУС-2171



NO.	DESCRIPTION
1	TAPPING SCREW
2	LABEL
3	TAPPING SCREW
5	FORWARD/REVERSE SWITCH
6	IMPACT STEEL PIECE
7	SCREW
8	CHUCK
9	OUTPUT SHAFT
10	STEEL BALL
11	BIG SPRING
12	BIG STEEL BALL
13	CIRCLIP FOR SHAFT
14	GEAR
15	CIRCLIP
16	STEEL BALL
17	IMPACT BLOCK
18	BEARING 608
19	ROTOR
20	BRUSH CAP
21	CARBON BRUSH
22	BRUSH HOLDER
23	STATOR
24	BEARING 626
25	SWITCH
26	TAPPING SCREW
27	CORD CLAMP
28	CORD GUARD
29	POWER CORD AND PLUG
30	CAPACITOR
31	INDUCTOR
33	LABEL
34	AUXILIARY HANDLE
35	DEPTH GAUGE
888	HOUSING ASSEMBLE

SO20120820