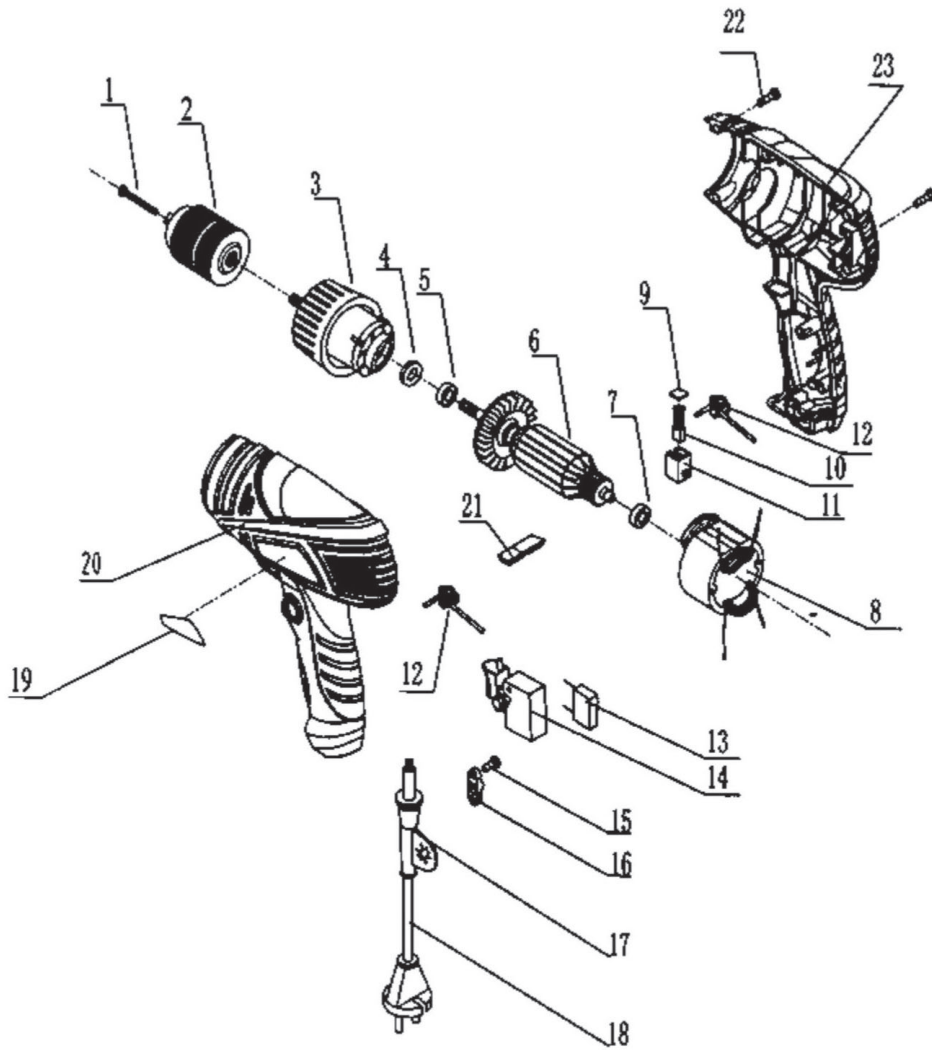


ДУС-2175



NO.	DESCRIPTION	NO.	DESCRIPTION
1	Screw M5*16	13	Condensor
2	Chuck	14	Switch
3	Gear box	15	Screw ST2.9*14
4	Bearing Cover	16	Cord clip
5	Bearing 608	17	Cord sleeve
6	Rotor	18	Power cord
7	Bearing 606	19	Housing A
8	Stator	20	LABLE
9	Carbon Cap	21	left/right Knob
10	Carbon brush	22	Screw ST2.9*16
11	Carbon holder	23	Housing B
12	Inductor		