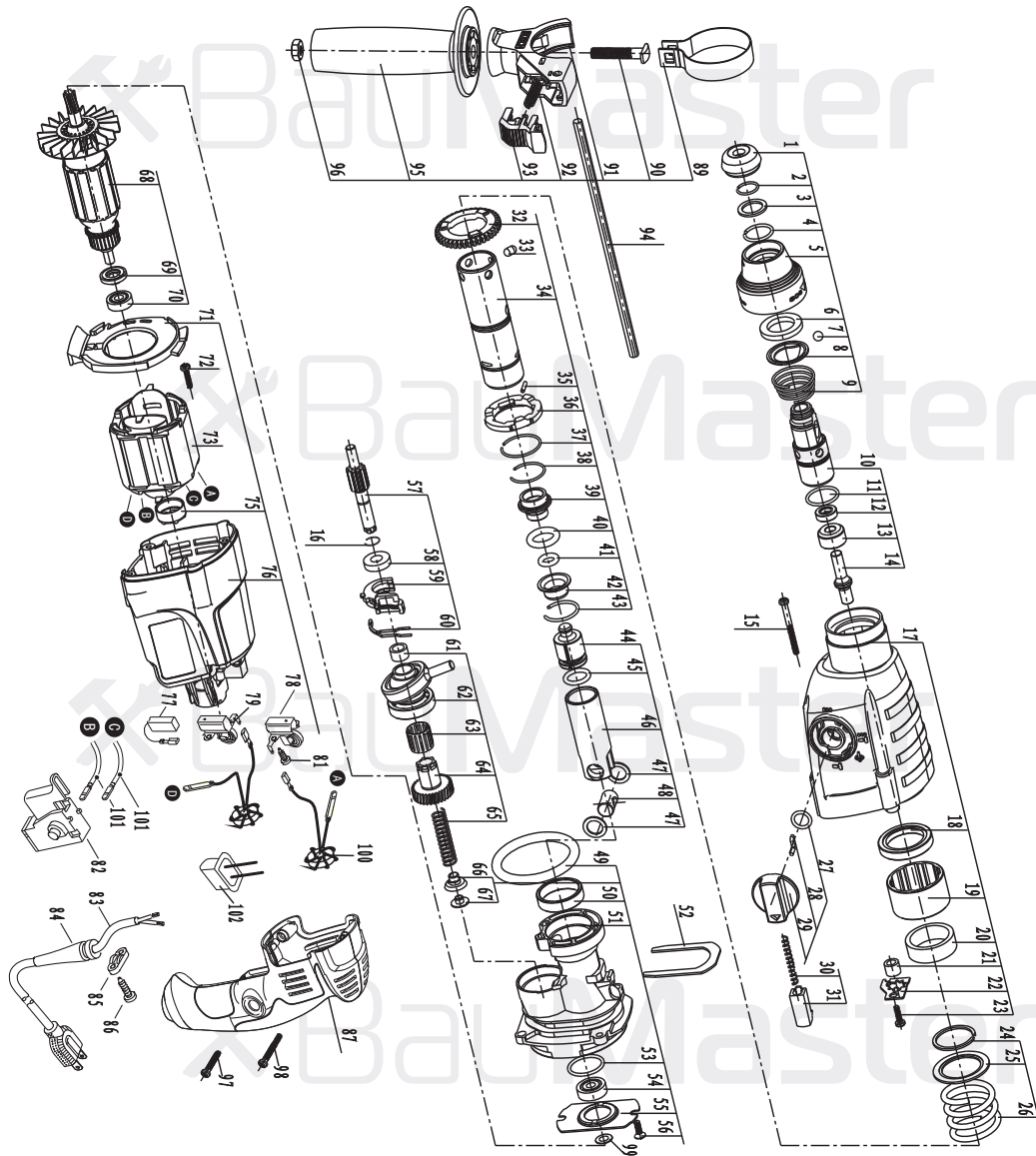


RH-25101X



NO.	DESCRIPTION	NO.	DESCRIPTION
1	DUST-PROOF CAP	51	INTERMEDIATE FLANGE
2	SNAP RING	52	U FORK
3	WASHER	53	O RING
4	SNAP RING	54	BEARING 609
5	CHUCK SLEEVE	55	BEARING HOLDING PLATE
6	WASHER	56	SCREW
7	STEEL BALL	57	GEAR SHAFT
8	WASHER	58	BEARING 699
9	SPRING	59	CHANGE LEVER ELEMENT
10	BIT HOLDER	60	SNAPRING
11	O RING	61	NEEDLE BEARING HK0908
12	OIL SEAL	62	SWASH BEARING
13	BUSHING	63	BEARING K15
14	STRIKER	64	33 TEETH GEAR
15	SCREW	65	SPRING
16	SNAP RING	66	SPRING HOLDER
17	GEAR BOX	67	WASHER
18	OIL SEAL	68	ARMATURE
19	BUSHING	69	WASHER
20	NEEDLE BEARING HK3012	70	BEARING 607
21	NEEDLE BEARING HK0709	71	WIND-PROOF BOARD
22	WASHER	72	SCREW
23	SCREW	73	STATOR
24	SNAP RING	75	BUSHING
25	WASHER	76	HOUSING
26	SPRING	77	CARBON BRUSH
27	O RING	78	BRUSH HOLDER
28	CHANGE LEVER ELEMENT	79	SPRING
29	CHANGE KNOB	81	SCREW
30	SPRING	82	ON/OFF SWITCH
31	CHANGE LEVER ELEMENT	83	POWER SUPPLY CABLE
32	40 TEETH GEAR	84	CABLE SLEEVE
33	STEEL BALL	85	WIRE HOLDING PLATE
34	TUBE	86	SCREW
35	PIN	87	REAR COVER
36	CATCH DISK	89	STEEL RING
37	SNAP RING	90	T SCREW
38	SNAP RING	91	HANDLE SEAT
39	STRIKER SLEEVE	92	SPRING
40	O RING	93	LOCKING BUTTON
41	O RING	94	DEPTH GAUGE
42	HOLDING JACKET	95	AUXILIARY HANDLE
43	SNAP RING	96	NUT M8
44	PISTON	97	SCREW
45	O RING	98	SCREW
46	PISTON CYLINDER	99	WASHER
47	WASHER	100	INDUCTOR
48	PIN	101	CONNECTING WIRE
49	O RING	102	CAPACITOR
50	BUSHING		