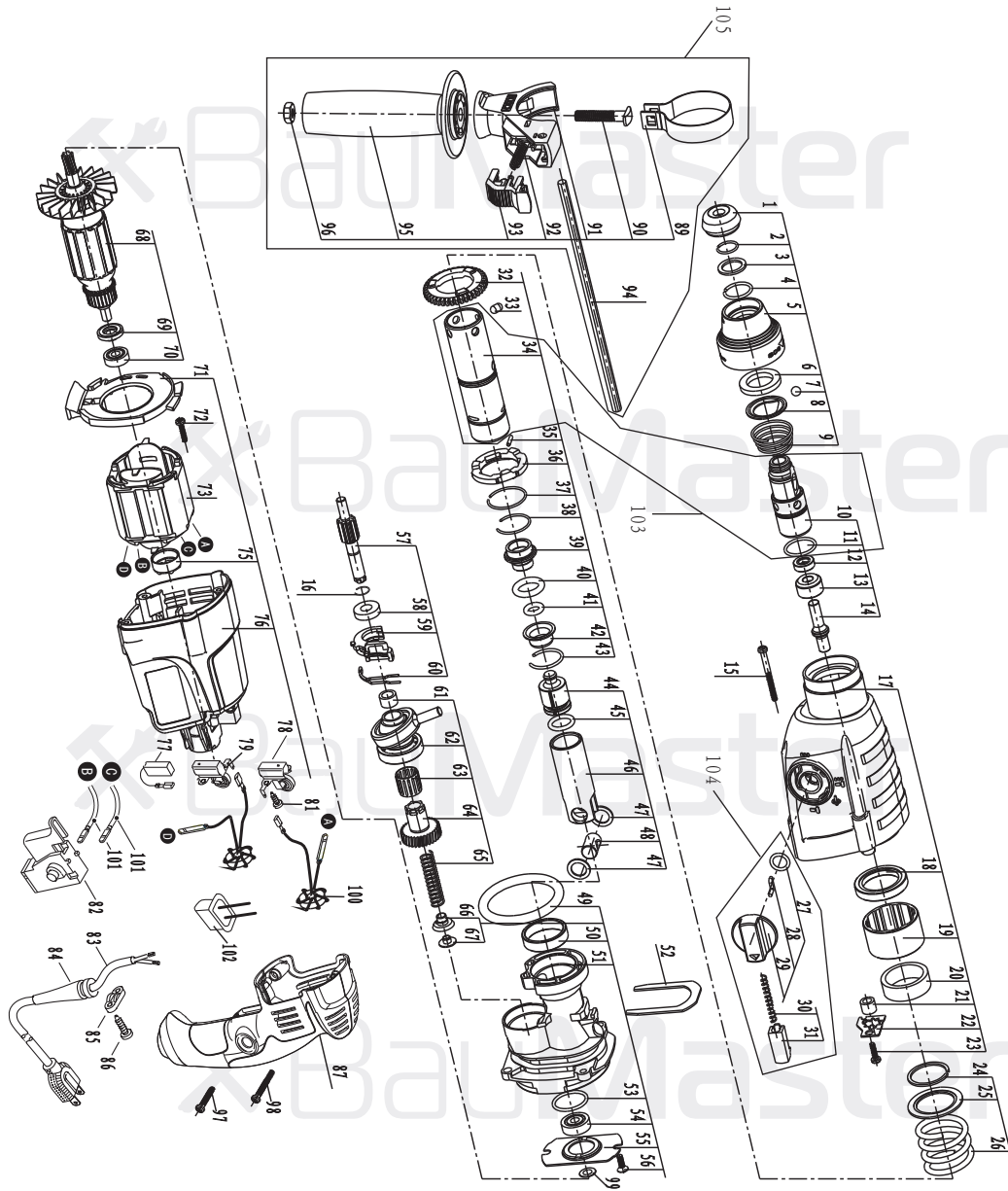


# RH-25101X



NO.	DESCRIPTION	NO.	DESCRIPTION
1	DUST-PROOF CAP	52	U FORK
2	SNAP RING	53	O RING
3	WASHER	54	BEARING 609
4	SNAP RING	55	BEARING HOLDING PLATE
5	CHUCK SLEEVE	56	SCREW
6	WASHER	57	GEAR SHAFT
7	STEEL BALL	58	BEARING 699
8	WASHER	59	CHANGE LEVER ELEMENT
9	SPRING	60	SNAPRING
10	BIT HOLDER	61	NEEDLE BEARING HK0908
11	O RING	62	SWASH BEARING
12	OIL SEAL	63	BEARING K15
13	BUSHING	64	33 TEETH GEAR
14	STRIKER	65	SPRING
15	SCREW	66	SPRING HOLDER
16	SNAP RING	67	WASHER
17	GEAR BOX	68	ARMATURE
18	OIL SEAL	69	WASHER
19	BUSHING	70	BEARING 607
20	NEEDLE BEARING HK3012	71	WIND-PROOF BOARD
21	NEEDLE BEARING HK0709	72	SCREW
22	WASHER	73	STATOR
23	SCREW	75	BUSHING
24	SNAP RING	76	HOUSING
25	WASHER	77	CARBON BRUSH
26	SPRING	78	BRUSH HOLDER
27	O RING	79	SPRING
28	CHANGE LEVER ELEMENT	81	SCREW
29	CHANGE KNOB	82	ON/OFF SWITCH
30	SPRING	83	POWER SUPPLY CABLE
31	CHANGE LEVER ELEMENT	84	CABLE SLEEVE
32	40 TEETH GEAR	85	WIRE HOLDING PLATE
33	STEEL BALL	86	SCREW
34	TUBE	87	REAR COVER
35	PIN	89	STEEL RING
36	CATCH DISK	90	T SCREW
37	SNAP RING	91	HANDLE SEAT
38	SNAP RING	92	SPRING
39	STRIKER SLEEVE	93	LOCKING BUTTON
40	O RING	94	DEPTH GAUGE
41	O RING	95	AUXILIARY HANDLE
42	HOLDING JACKET	96	NUT M8
43	SNAP RING	97	SCREW
44	PISTON	98	SCREW
45	O RING	99	WASHER
46	PISTON CYLINDER	100	INDUCTOR
47	WASHER	101	CONNECTING WIRE
48	PIN	102	CAPACITOR
49	O RING	103	BIT HOLDER ASS
50	BUSHING	104	CHANGE KNOB ASSI
51	INTERMEDIATE FLANGE	105	AUXILIARY HANDLE