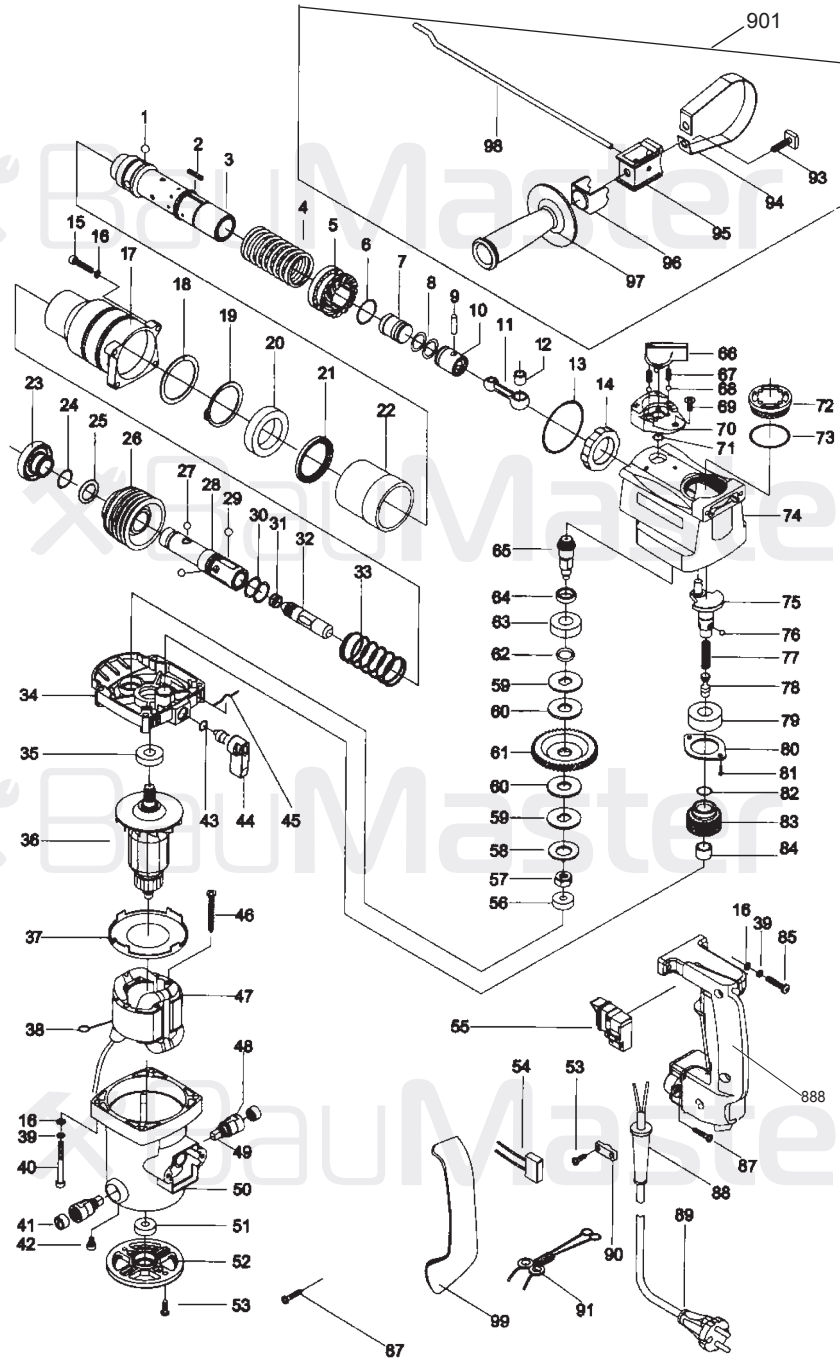


# RH-2590X



NO.	DESCRIPTION	NO.	DESCRIPTION	NO.	DESCRIPTION
1	STEEL BALL $\phi$ 8	34	GEAR CASE	67	SPRING
2	PIN 3*18	35	BEARING 6001Z	68	STEEL BALL $\phi$ 5
3	CYLINDER	36	ROTOR	69	SCREW M4X10
4	SPRING	37	AIR BAFFLE	70	MOUNT
5	BIG BEVEL GEAR	38	LOOP OF WIRE	71	AXIAL CIRCLIP $\phi$ 10
6	LOCKING SPRING	39	SPRING WASHER $\phi$ 5	72	OIL COVER
7	RAM	40	SCREW M5*50	73	O-RING
8	O-RING	41	BRUSH CAP	74	CRANK SHAFT CASE
9	PISTON PIN	42	SCREW M5*6	75	CRANK SHAFT
10	PISTON	43	O-RING	76	STEEL BALL $\phi$ 5.5
11	CONNECTING ROD	44	SELECTOR LEVER	77	CLUTCH SPRING
12	Oil bush	45	LOCK SPRING	78	CLUTCH SHAFT
13	O-RING	46	SCREW ST4.8X60	79	BEARING 6202Z
14	OIL BEARING	47	ARMATURE	80	PRESS BOARD
15	SCREW M5X25	48	BRUSH HOLDER	81	SCREW M4X17
16	WASHER $\phi$ 5	49	CARBON BRUSH	82	AXIAL CIRCLIP $\phi$ 15
17	CYLINDER CASE	50	MOTOR HOUSING	83	FIRST GEAR
18	WASHER	51	BEARING 608Z	84	OIL BUSH
19	AXIAL CIRCLIP $\phi$ 35	52	BOTTOM COVER	85	SCREW M5*25
20	BEARING 61907Z	53	SCREW ST4.2X16	87	SCREW ST4.2X25
21	OIL SEAL	54	CAPACITANCE	88	CORD SHEATH
22	DUCT	55	POWER SWITCH	89	POWER CORD
23	FRONT COVER	56	BEARING 627Z	90	CORD CLAMP
24	LOCKING SPRING	57	SPECIAL NUT	91	INDUCTANCE
25	WASHER	58	DISH SPRING	93	SCREW
26	GLIDE LOCKING SLEEVE	59	SHEATH PLATE	94	LOCKING RING
27	STEEL BALL $\phi$ 7.14	60	CLUTCH FRICTION PLATE	95	HANDLE LOCK
28	GUARD RING SLEEVE	61	SECOND GEAR	96	DEPTH GAUGE LOCK
29	STEEL BALL $\phi$ 7.14	62	WASHER	97	AUXILIARY HANDLE
30	O-RING(A)	63	BEARING 6002Z	98	DEPTH GAUGE
31	O-RING(B)	64	WASHER	99	HANDLE BOTTOM COVER
32	SUBSIDIARY HAMMER	65	THIRD SHAFT GEAR	888	HANDLE ASSEMBLY
33	SPRING	66	SELECTOR KNOB	901	AUXILIARY HANDLE ASSEMBLY(93+94...+98)

BM20110223