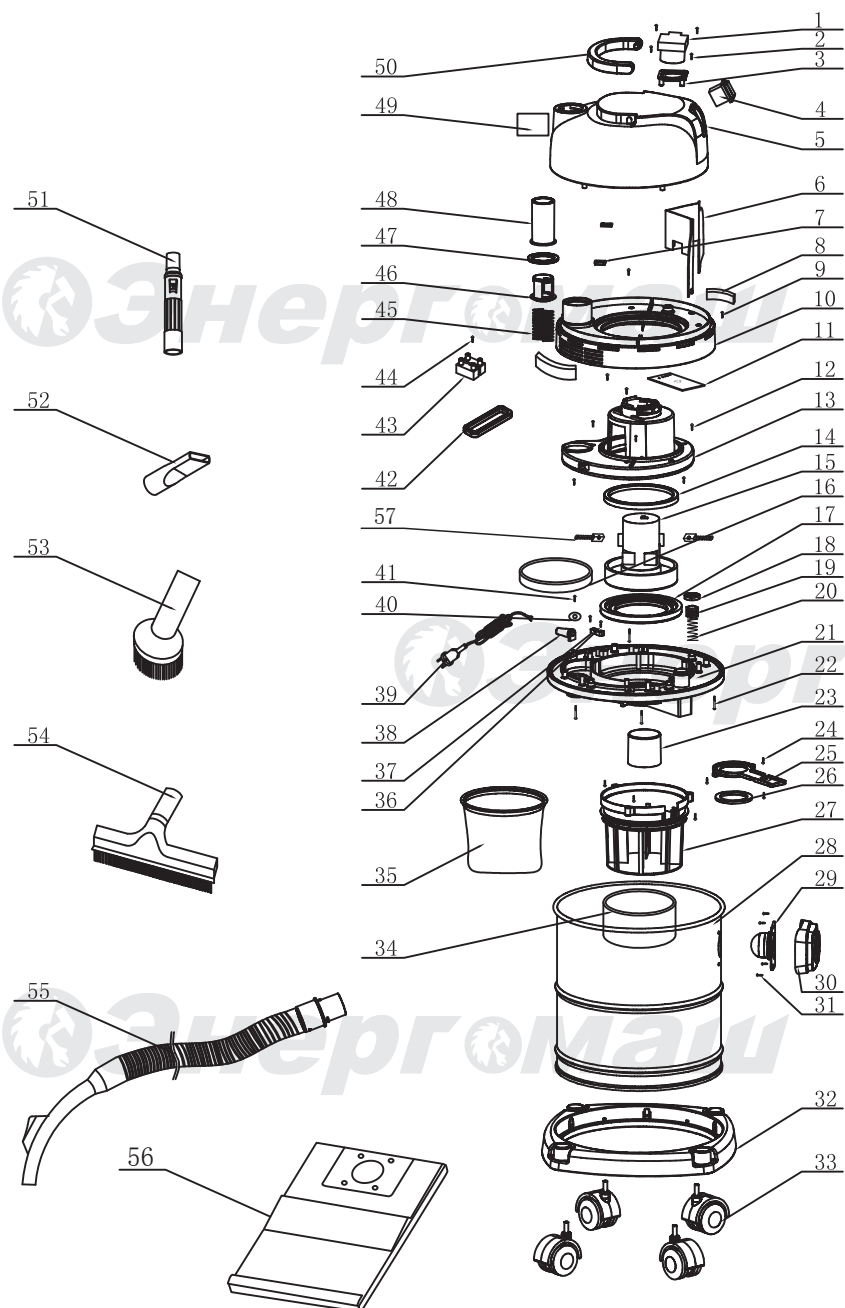


## ПП-72016



NO.	DESCRIPTION	NO.	DESCRIPTION
1	WATERPROOF SOCKET	30	SUCKER PLATE
2	SCREWS	31	SCREW
3	SOCKET PLATE	32	PEDESTAL
4	SWITCH	33	SMALL WHEELS
5	TOP COVER	34	FILTER SPONGE
6	AIR BLOCKING BOARD	35	FILTER BAG
7	SEAL PLATE	36	SCREW
8	AIR OUTLET SPONGE	37	CORD CLAMP
9	SCREWS	38	CORD SLEEVE
10	MIDDLE COVER	39	POWER CORD
11	PCB	40	WASHER
12	SCREW	41	SCREW
13	MOTOR HOUSE	42	RECTANGULAR INDUCTANCE
14	UPPER GASKET	43	TERMINAL
15	MOTOR	44	SCREW
16	AIR OUTLET SPONGE	45	BLOWING SPRING
17	DOWN GASKET	46	BLOWING TUBE
18	VALVE COVER	47	SEAL RING
19	VALVE CORE	48	BLOWING MOUTH
20	SPRING	49	LABEL
21	BARREL CAP	50	HANDLE
22	SCREW	51	TUBE
23	PROTECTIVE VALVE	52	CREVICE NOZZLE
24	SCREW	53	ROUND BRUSH
25	AIR INLET MOUTH	54	BIBULOUS FLOOR BRUSH
26	SEAL	55	HOSE ASSEMBLE
27	PEDESTAL BASKET	56	PAPER OR CLOTH FILTER
28	STAINLESS STEEL BARREL	57	CARBON BRUSH
29	SUCKER MOUTH		

EN20111230