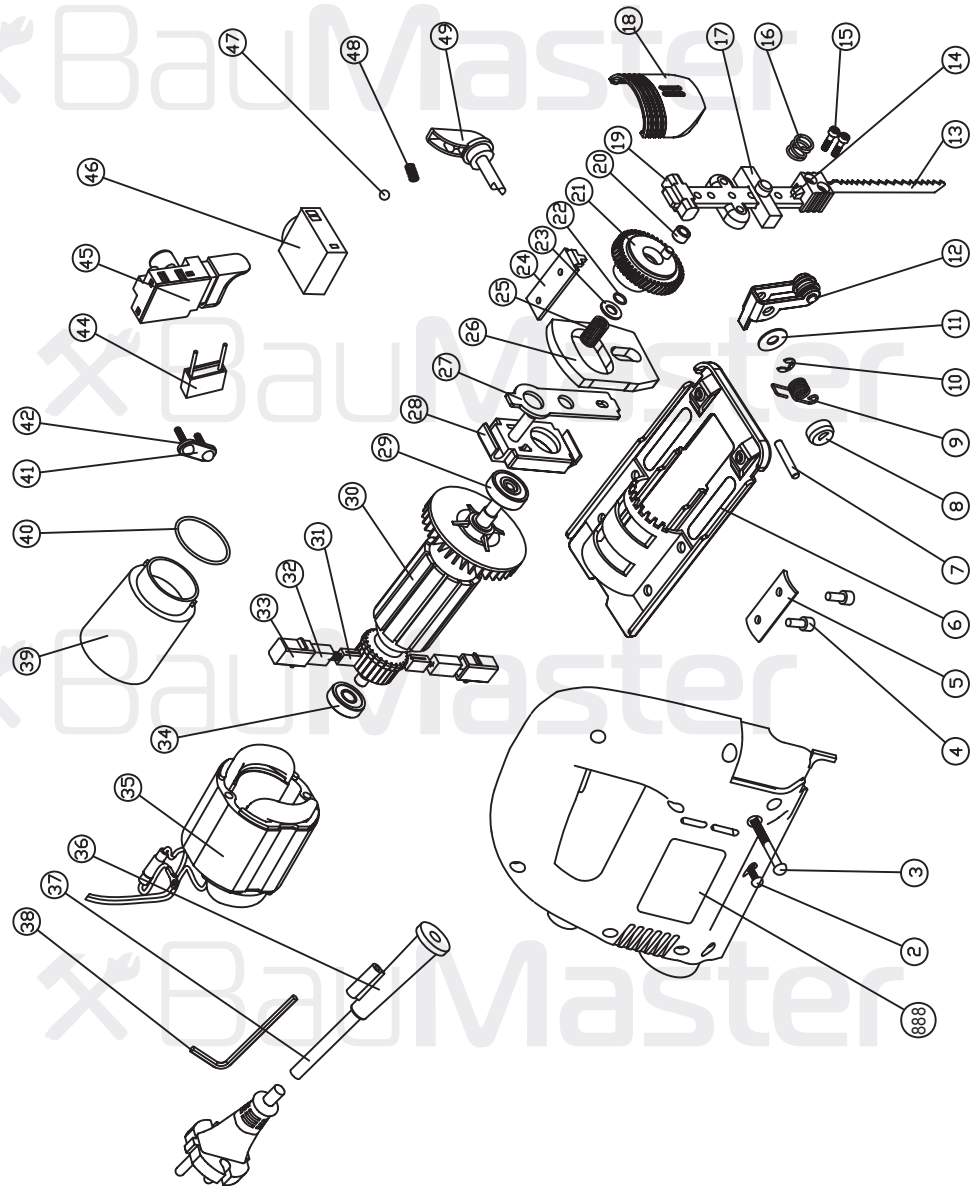


JS-4062X



NO.	DESCRIPTION	NO.	DESCRIPTION
2	TAPPING SCREW ST3.9X19	26	BALANCE ROLLER BEARING
3	TAPPING SCREW ST3.9X45	27	LIFTING KINFE PLATE
4	ADJUSTING SCREW M4X14	28	BEARING HOLDER
5	FIXING PLATE	29	BEARING 608Z
6	IRON BASE PLATE	30	ROTOR
7	SAW HOLDER PIN	31	CARBON BRUSH
8	METAL PENDULUM SWITCH	32	BRUSH HOLDER
9	ROLLER SPRING	33	BRUSH BUSHING
10	FIXING SPRING	34	BEARING 607Z
11	WASHER	35	STATOR
12	BALADE SUPPORT ASSN	36	CORD SLEEVE
13	BLADE	37	AC-CORD&PLUG
14	QUICK PLUNGER ASSN	38	HEX KEY
15	ADJUSTING SCREW M4X12	39	DUST CONNECTION
16	SPRING	40	"O" TYPE RING
17	HOLDER FOR SAW ARM	41	STRAIN RELIEF
18	FINGER GUARD	42	TAPPING SCREW ST3.9X14
19	HOLDER FOR SAW ARM	44	0.22μF CAPACITOR
20	ROLLER	45	SWITCH
21	BIG GEARING	46	SPEED REGULATOR
22	FIXING SPRING	47	METAL BALL
23	WASHER	48	SPRING
24	CONNECTING PLATE	49	PENDULUM SWITCH
25	NEEDLE ROLLER BEARING	888	HOUSING ASSEMBLE

BM20120926-01