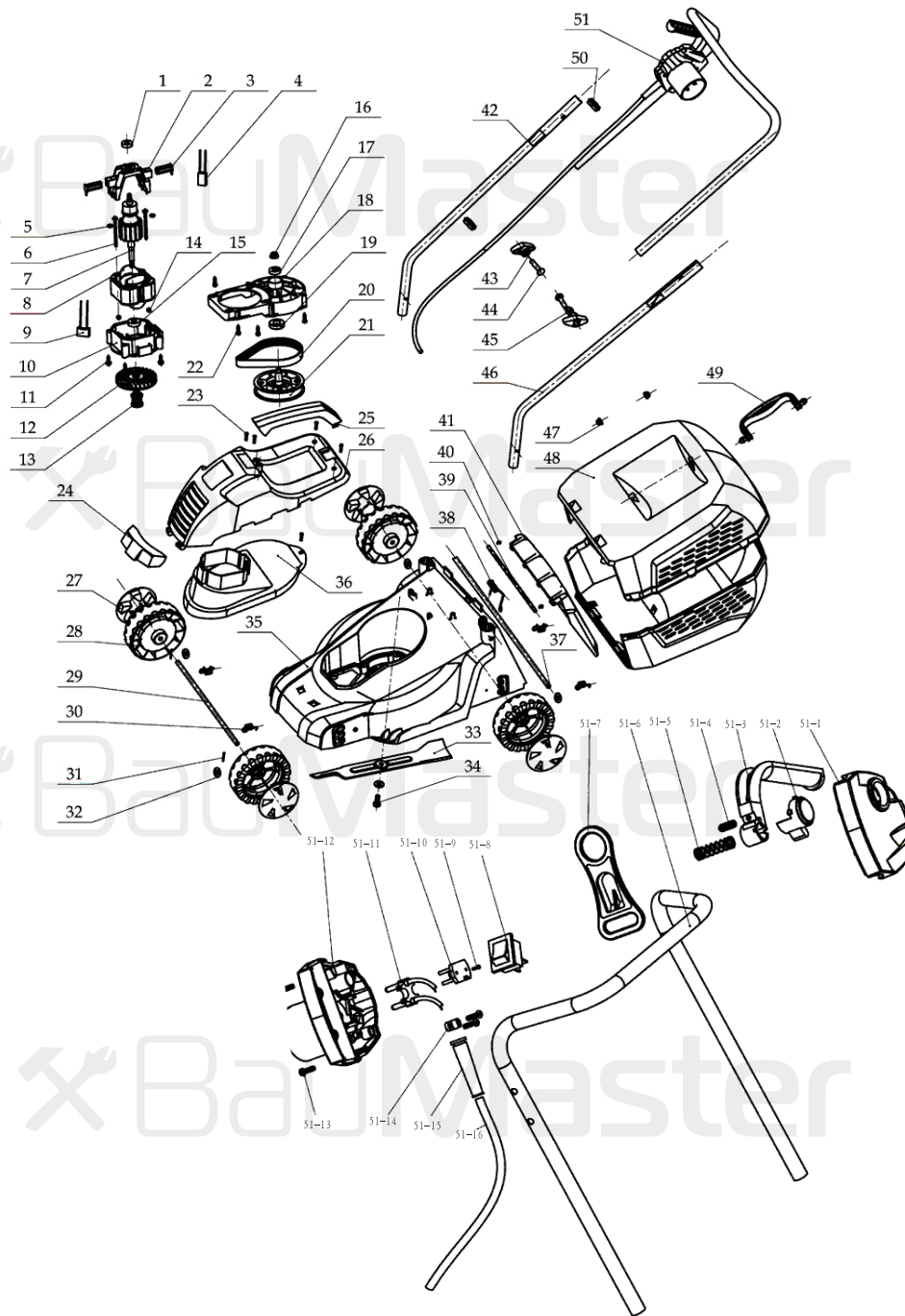


# GT-3511



NO.	DESCRIPTION	NO.	DESCRIPTION
1	BEARING 608Z	35	HOUSING
2	MOTOR REAR HOLDER	36	WIND COVER
3	CARBON BRUSH GROUP	37	BACK WHEEL AXLE
4	OVERLOAD PROTECTOR	38	BACK COVER SPRING
5	FLAT WASHER	39	BACK COVER AXLE
6	SCREW	40	E-CHECK RING
7	ROTOR	41	BACK COVER
8	STATOR	42	RIGHT DOWN HANDLE
9	CAPACITY	43	KNOB
10	MOTOR FRONT HOLDER	44	SLOT
11	SCREW	45	NUT
12	ROTOR FAN	46	LEFT DOWN HANDLE
13	SMALL BELT WHEEL	47	BOX CAP
14	NUT	48	BOX COVER
15	BEARING 6000RS	49	BOX HANDLE
16	NUT	50	CABLE CLAMP
17	BEARING 6000 2RS	51	SWITCH BOX GROUP
18	FIXED PLATE	51-1	SWITCH BOX UPPER COVER
19	BEARING 6002 2RS	51-2	SWITCH BUTTON
20	BELT	51-3	SWITH TRIGGER
21	BIG BELT WHEEL	51-4	TRIGGER SPRING
22	SCREW	51-5	BUTTON SPRING
23	SCREW	51-6	UPPER HANDLE
24	WEIGHT BLOCK	51-7	CABLE HOOK
25	UPPER COVER HANDLE	51-8	SWITCH
26	UPPER COVER HANDLE	51-9	SCREW
27	WHEEL COVER	51-10	PRESS PLATE
28	WHEEL	51-11	PLUG
29	FRONT WHEEL AXLE	51-12	SWITCH BOX LOWER COVER
30	WHEEL AXLE TENTION SPRING	51-13	SCREW
31	SPLIT PIN	51-14	CORD PRESS PLATE
32	FLAT WASHER	51-15	CABLE COVER
33	BLADE	51-16	CABLE
34	BLADE SCREW BOLT		

UK-BM170928