

SI2311C

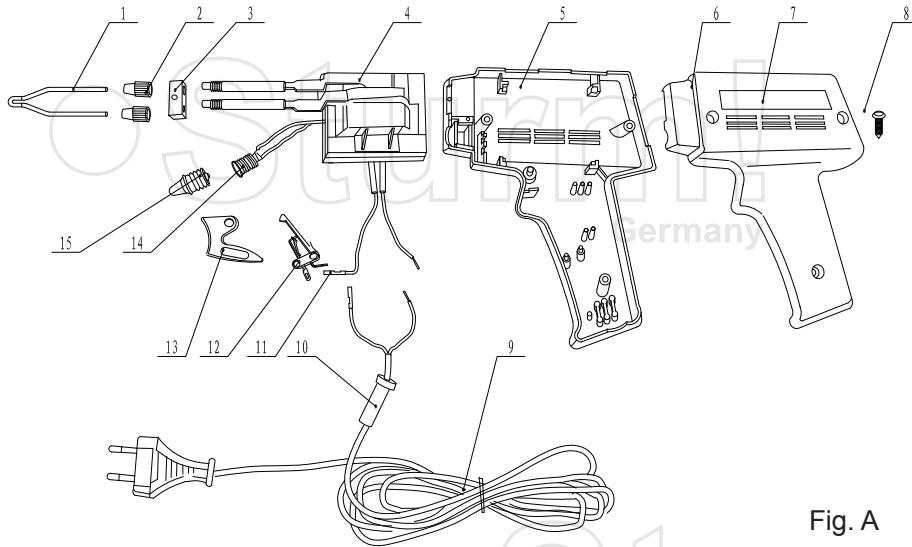


Fig. A

NO.	DESCRIPTION
1	SOLDERING TIP
2	NUT
3	FIXING BLOCK
4	ADAPTOR
5	CABINET(A)
6	CABINET(B)
7	NAMEPLATE
8	SCREW
9	CORD
10	CORD ARMOR
11	CONNECTOR PLATE
12	SWITCH
13	SWITCH BUTTON
14	BULB SOCKET
15	BULB

Fig. A

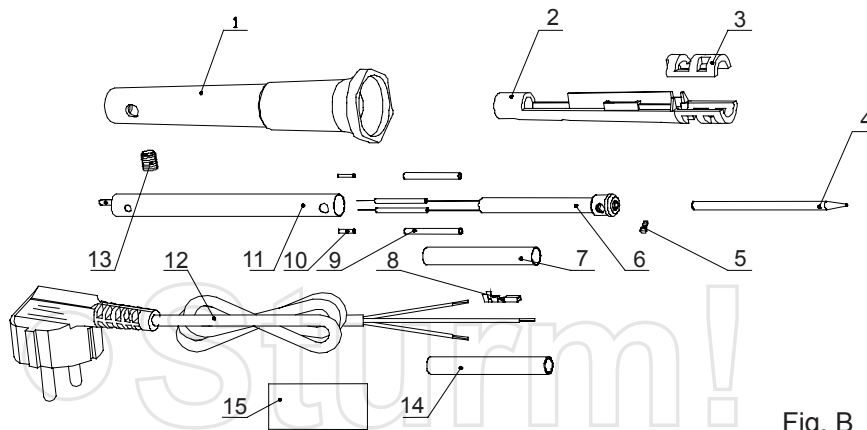


Fig. B

NO.	DESCRIPTION
1	HOUSING
2	INSIDE HOUSING
3	INSIDE HOUSING CLOSE BLOCK
4	SOLDERING TIP
5	SCREW
6	HEATING MANDREL
7	HEATING MANDREL PIPE
8	SPRING
9	HEATING SHRINK TUBE
10	COPPER TUBE
11	FIXED TUBE
12	CODE AND PLUG
13	FIXED SCREW
14	CORD SLEEVE
15	LABLE

Fig. B

RU6040402