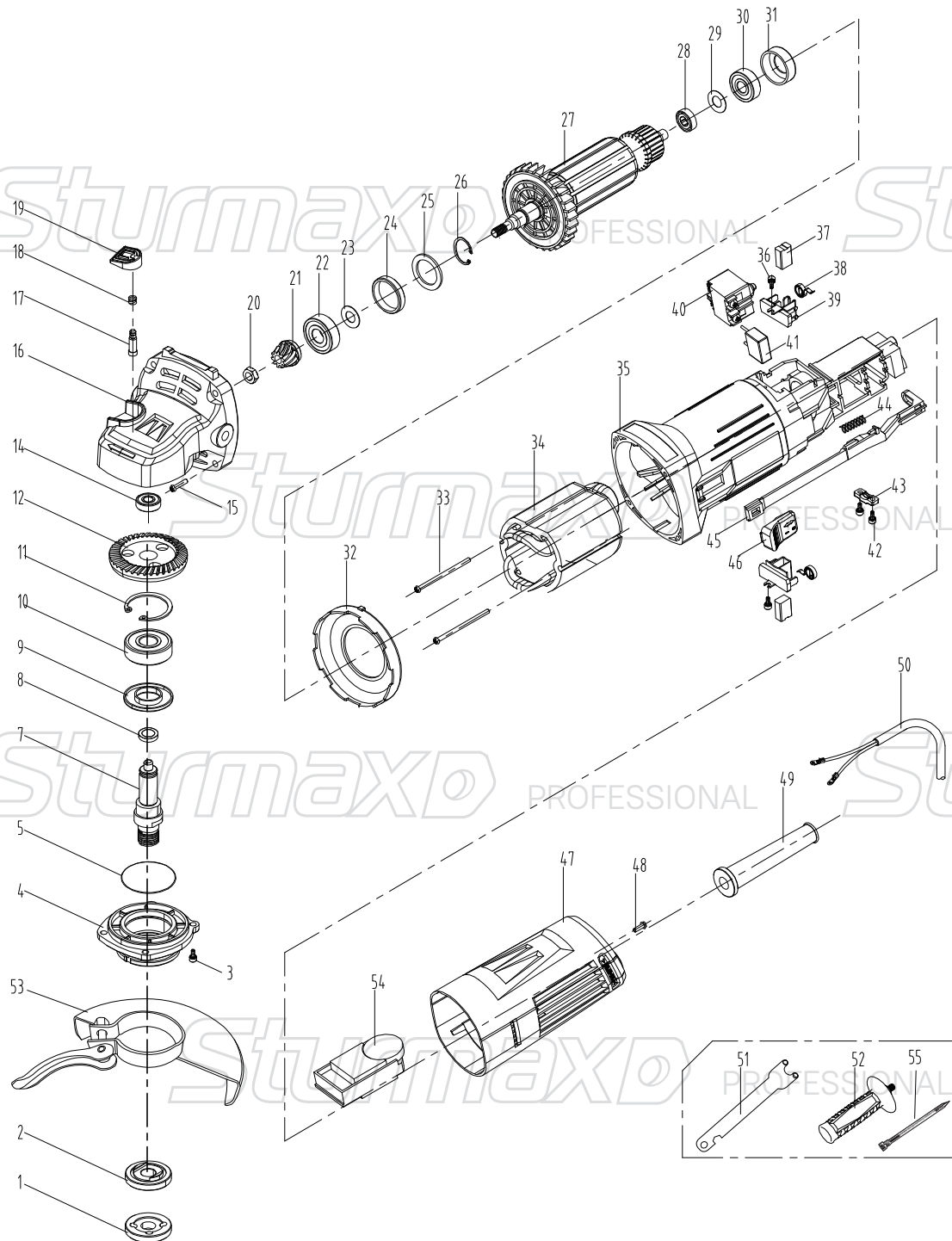


AGM90125PE



No	Description	No	Description
1	Upper platen	30	Ball bearing 608RS
2	Lower platen	31	Bearing sleeve
3	Screw M4×14	32	Wind guard
4	Gear box cover	33	Screw ST4.2*70-H
5	O-ring	34	Stator
7	Output shaft	35	Housing
8	Wool wahser	36	Screw ST3*8
9	Proof-dust cover	37	Carbon Brush
10	Ball bearing 6201RS	38	Carbon brush sping
11	Circlip Φ32	39	Carbon Brush rack
12	Big gear	40	Switch
14	Ball bearing 606Z.	41	capacitance
15	Screw M4X22	42	Screw ST4.2*14
16	Gear box	43	Cord clip
17	Lock pin	44	Switch rod spring
18	Lock pin spring	45	Switch rod
19	Lock cap	46	Switch button
20	Nut M6	47	Rear cover
21	Small gear	48	Screw ST4.2*16
22	Ball bearing 629	49	Cable sheath
23	Bearing washer	50	Cable
24	Bearing sleeve	51	Spanner
25	Bearing plate	52	Side handle
26	Circlip Φ29	53	Wheel guard
27	Armature	54	Constant power governor
28	Magnetic ring	55	Scriber
29	Bearing washer		

ST-UK240828