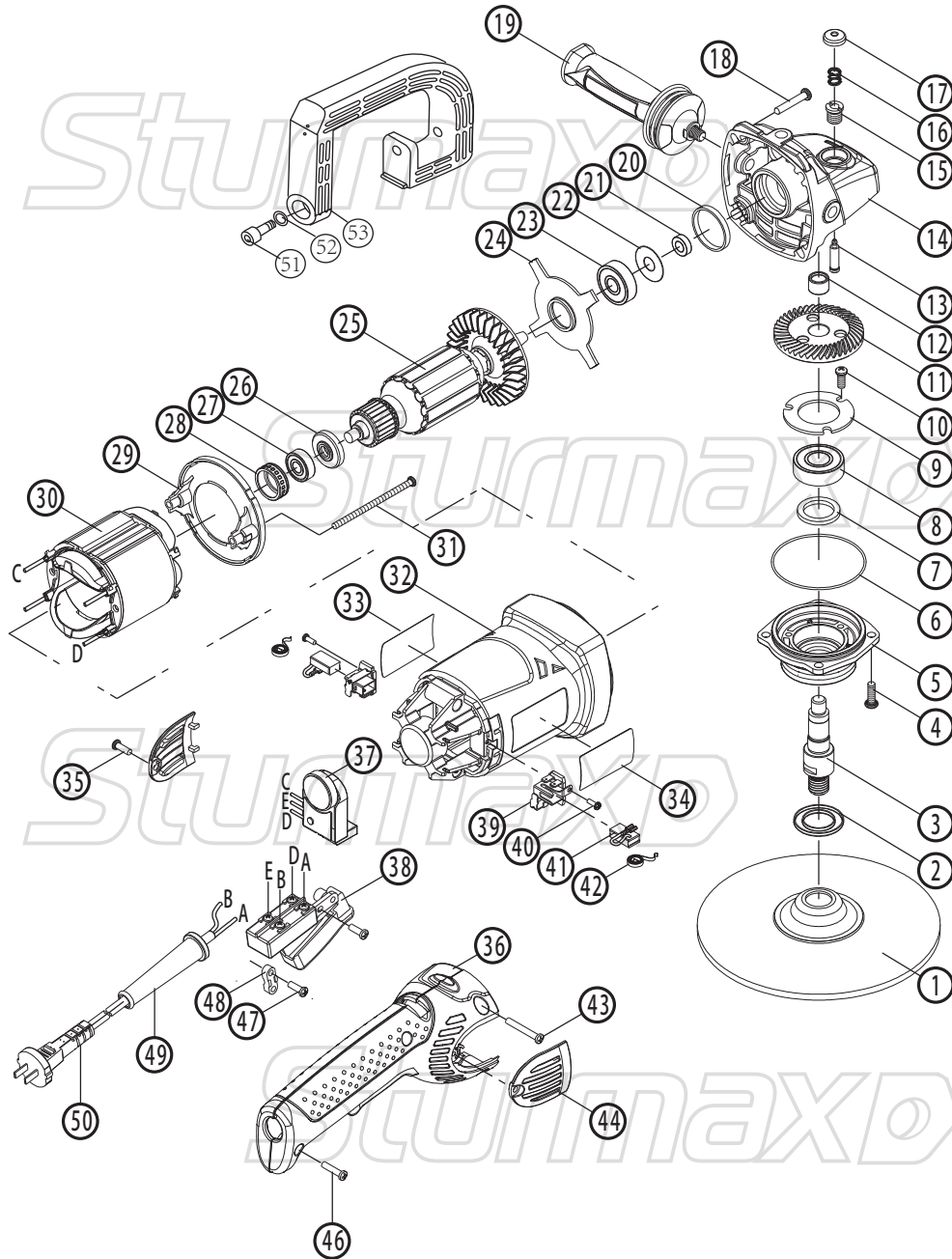


# AGM916CP



NO.	DESCRIPTION	NO.	DESCRIPTION
1	POLISHING PAD	28	BEARING BUSH
2	ANTI-DUST COVER	29	WIND GUIDE
3	SPINDLE	30	STATOR
4	SCREW	31	SCREW ST4.2X75
5	FRONT COVER	32	HOUSING
6	O-RING	33	LABEL
7	WOOL RING	34	NAMEPLATE
8	BEARING 6202	35	SCREW ST4.2X12
9	PRESS BOARD	36	HANDLE
10	SCREW	37	VARIABLE SPEED SWITCH
11	BIG GEAR	38	SWITCH
12	NEEDLE BEARING HK1010	39	BRUSH HOLDER
13	LOCKING PIN	40	SCREW ST2.9X10
14	GEAR BOX	41	CARBON BRUSH
15	LOCKING PIN BUSH	42	SPRING
16	SPRING	43	SCREW ST4.2X30
17	LOCKING PIN BUTTON	44	BRUSH COVER
18	SCREW	46	SCREW ST4.2X18
19	HANDLE	47	SCREW ST4.2X14
20	O-RING	48	CABLE CLAMP
21	STEEL BUSH	49	CABLE SLEEVE
22	WASHER	50	CABLE
23	BEARING 6200	51	SCREW
24	PRESS BOARD	52	WASHER
25	ROTOR	53	HANDLE
26	MAGNET RING		
27	BEARING 608		

UKW231206