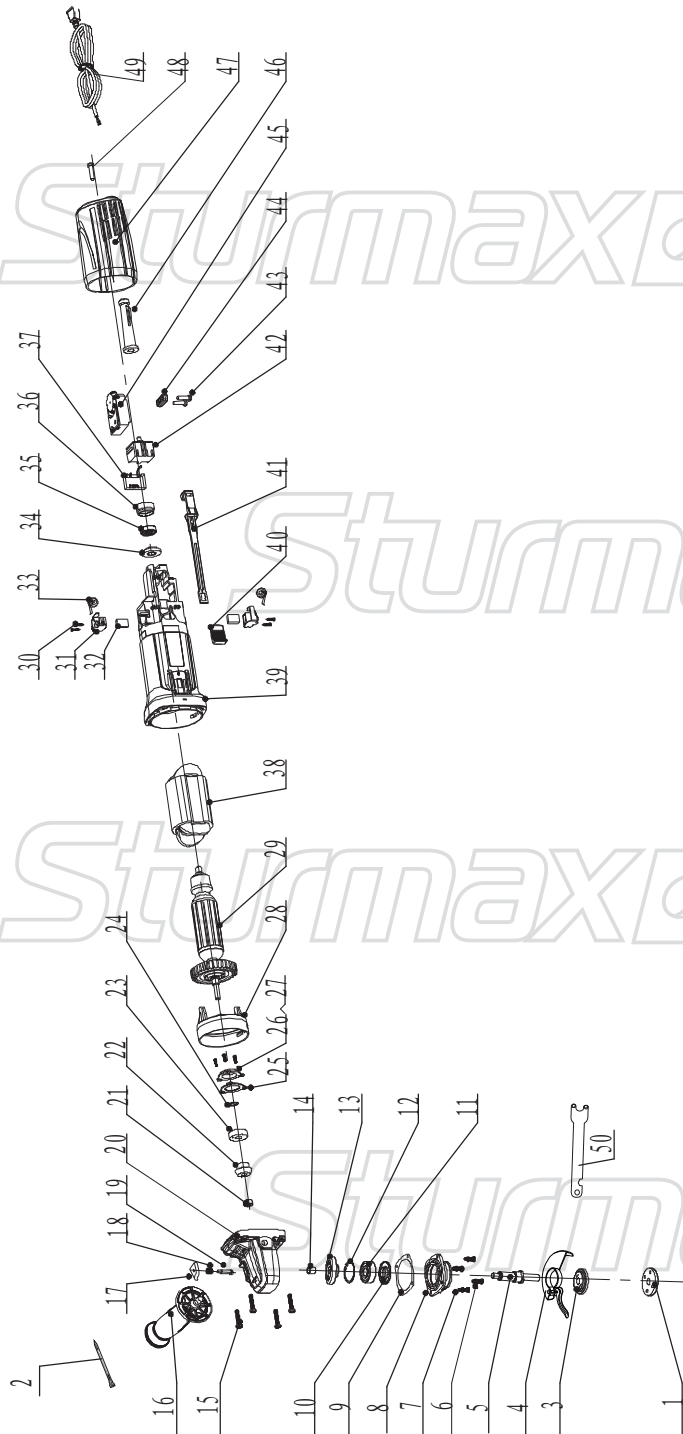


AGM95125PE



No	Description	No	Description
1	outer flange	26	bearing press cover
2	scriber	27	screw M4X10
3	inner flange	28	baffle plate
4	wheel guard	29	rotor
5	output shaft	30	screw ST3X9
6	washerΦ4	31	carbon brush holder
7	screw M4X14	32	carbon brush
8	front cover	33	spring of carbon brush
9	paper gasket	34	rotor dust ring
10	dustproof ring	35	bearing 607-2RS
11	bearing 6201-2RS	36	bearing bush
12	circlip Φ32	37	capacitor
13	big gear	38	stator
14	needle HK0812	39	housing
15	screwST4X18	40	button
16	side handle	41	lever
17	lock cap	42	switch
18	spring of shaft lock	43	screw ST4X14
19	lock pin	44	cord clamp
20	head case	45	adjust speed switch
21	lock nut M6	46	cord sleeve
22	small gear	47	rear cover
23	bearing 608-2RS	48	screw ST4X18
24	washer	49	cord
25	paper gasket	50	spanner

ST-UKW230725