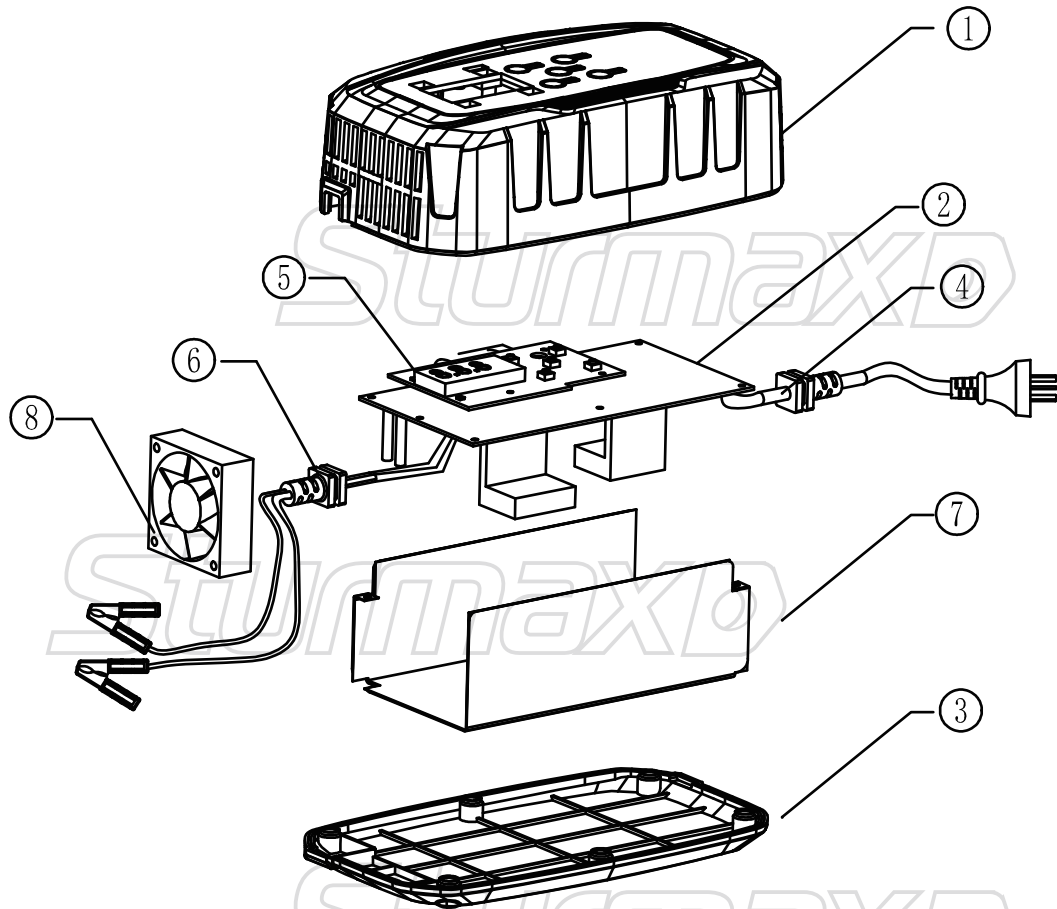


Sturmax®

Sturmax®



BCM8035L

NO.	DESCRIPTION
1	TOP HOUSING
2	PCB
3	BOTTOM HOUSING
4	POWER CORD & PLUG
5	DIGITAL TUBE DISPLAY
6	CHARGING CLAMP (BLACK+RED) & CABLE
7	PROTECTION SHELL
8	COOLING FAN

BCM8035L-EX-UK240904BC

Sturmax®

Sturmax®