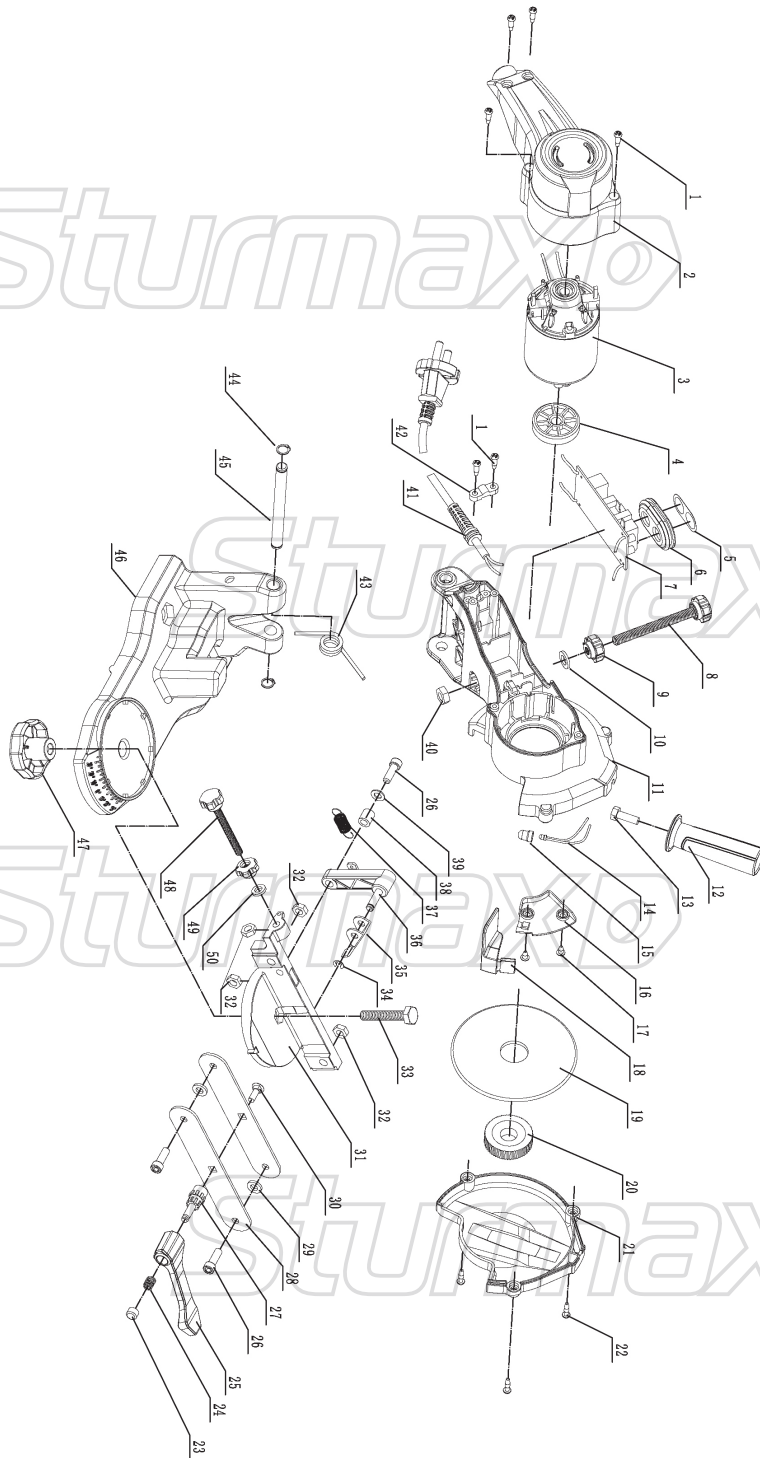


Sturmax

Sturmax

BGM6060



NO.	DESCRIPTION	NO.	DESCRIPTION
1	TAPPING SCREW	26	BOLT
2	REAR COVER	27	NUT
3	MOTOR	28	SAW CHAIN CLAMP
4	DOWN FLANGE	29	WASHER
5	SWITCH COVER	30	BOLT M4X14
6	SWITCH BOX	31	FIXED DISK
7	PCB	32	NUT M6
8	BIG BOLT	33	BOLT M8X45
9	NUT	34	CIRCLIP
10	RUBBER WASHER	35	POLE
11	HOUSING	36	BRACKET
12	SIDE HANDLE	37	SPRING
13	BOLT M6X18	38	BUSH
14	LED	39	WASHER
15	LED LIGHT COVER	40	NUT
16	LED LIGHT PRESS BOARD	41	CABLE
17	TAPPING SCREW	42	CABLE CLAMP
18	TRANSPARENT GUARD	43	TORSIONAL SPRING
19	GRINDING WHEEL	44	CRICLIP
20	UPPER FLANGE	45	SHAFT
21	GRINDING WHEEL COVER	46	BASE
22	TAPPING SCREW	47	BIG NUT
23	LOCKING CAP	48	BIG BOLT
24	SPRING	49	BIG NUT
25	LOCKING SPANNER	50	RUBBER WASHER

BGM6060-EX-UKW231013-1

Sturmax