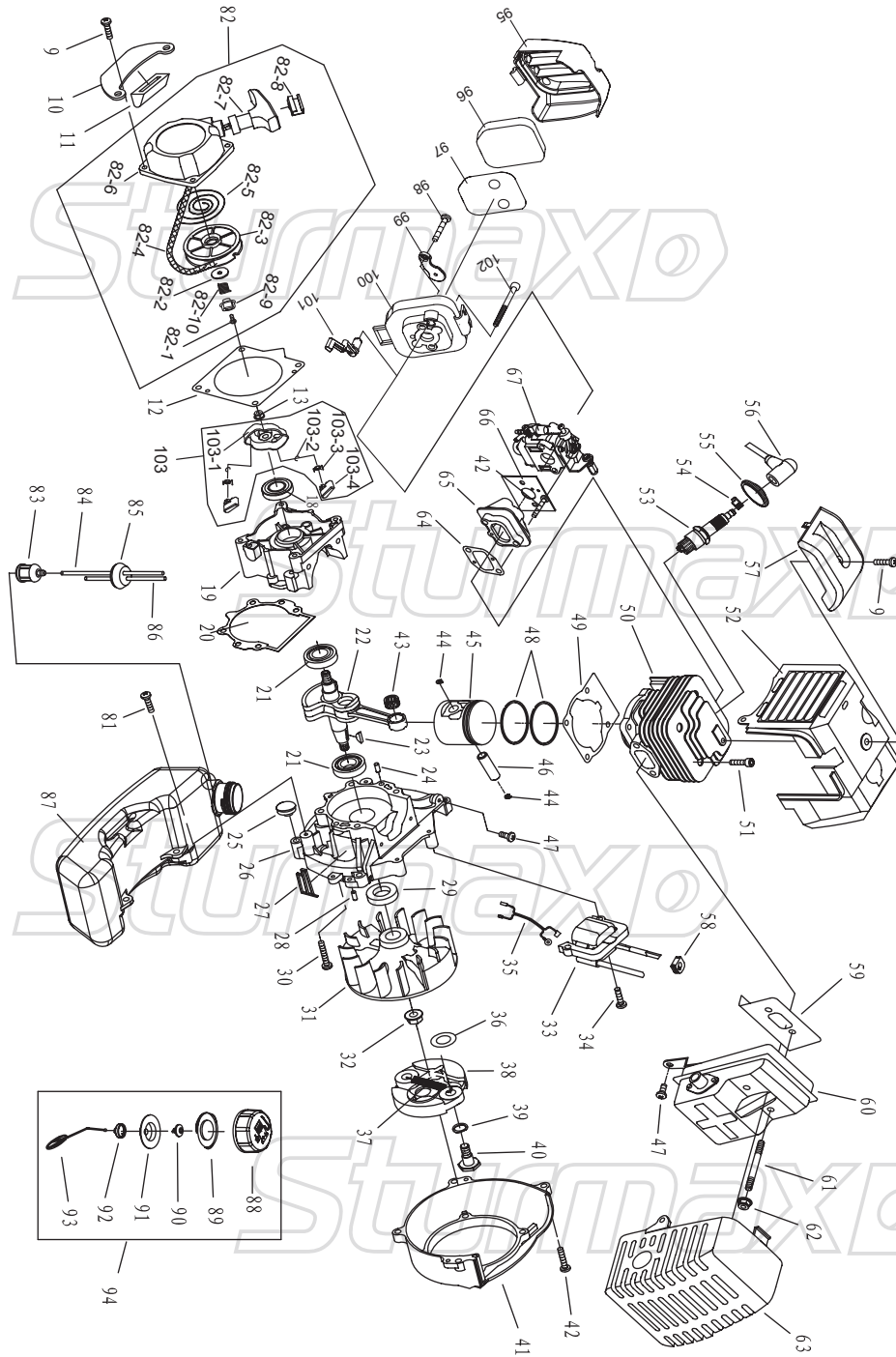


## BTM8952S

No.	DESCRIPTION	No.	DESCRIPTION	No.	DESCRIPTION
2	STOP RING 26	34	WASHER	66	HARNES CLAMP
3	STOP RING 10	35	CLUTCH CASE	67	BOLT
4	BEARING 600-2RS/P5	36	CIRCLIP	68	BLADE COVER
5	PINION	37	BEARING 6202-2RZ	69	DOWN GUARD ASSEMBLY
6	STEEL CAP	38	CIRCLIP	70	DOWN GUARD
7	SCREW M6X20	39	CLUTH DRUM	71	BLADE
8	WASHER 6	40	HAND GRIP	72	SAFETY GUARD
9	SCREW M5X12	41	SPRING	73	SAFETY GUARD BRACKET
10	BOLT M6X12	42	TRIGGER	74	SCREW
11	WASHER 6	43	RIGHT HANDLE	75	ROPE ROOM CAP
12	GEAR CASE	44	SCREW	76	BOUNCE OBJECT
13	SAFELY GUARD	45	WASHER	77	ROPE CAP
14	BEARING 6000/P5	46	SCREW	78	ROPE SEAT
15	GEAR	47	CABLE COMP.	79	NELON CORD
16	GEAR SHAFT	48	STOP BUTTON COMP.	80	SPRING
17	BEARING 6002-2RS/P5	49	LEFT HANDLE	81	ROPE ROOM
18	STOP RING 32	50	HARNES ASSEMBLY	82	BOLT
19	HOLDER A	51	SCREW	83	SPRING
20	HOLDER B	52	CLAMP RING	84	RING FOR LIMITED
21	WASHER 10	53	LINKER	85	WASHER
22	LEFT NUT	54	RUBBER	86	HAND GRIP
23	PIN 2X16	55	LOWER CAP	87	NUT
24	3 TEETH BLADE	56	RUBBER	88	PLASTIC SLEEVE
25	40 TEETH BLADE	57	LINKER	100	GEAR BOX ASSEMBLY
26	RUBBER COVER	58	CLAMP RING	101	PIPE ASSEMBLY
27	OIL-BEARING	59	UPPER CAP	102	CLUTCH ASSEMBLY
28	DRIVE SHAFT	60	SCREW	103	LEVER ASSEMBLY
29	PIPE	61	HANDLE GRIP	104	HOLD ASSEMBLY
30	CIRCLIP	62	RUBBER RINGER	105	GUARD ASSEMBLY
31	HANG RING	63	NUT	106	NYLON CUTTER HEAD
32	HANG HANDLE	64	SCREW	107	RING FOR LIMIT ASSEMBLY
33	BOLT	65	CLAMP		

UKW231109BT

Sturmaxo



### Engine for BTM8952S

No.	DESCRIPTION	NO.	DESCRIPTION	NO.	DESCRIPTION
9	SCREW M5X20	44	RING	82-7	START HANDLE
10	STAND	45	PISTON	82-8	RING
11	RUBBER COVER	46	PISTON PIN	82-9	START RATCHET
12	GASKET	47	BOLT M5X12	82-10	EASY START COIL-SPRING
13	NUT M8	48	PISTON RING	83	CLEANER COVER
18	OIL-SEAL	49	GASKET	84	FUEL PIPE
19	CRANK CASE	50	CYLINDER	85	PLUG
20	GASKET	51	SCREW M5X20	86	FUEL PIPE
21	BEARING 6202/P5	52	GUIDE COVER ASS'Y	87	FUEL TANK
22	CRANK SHAFT	53	SPARK PLUG	88	FUEL TANK LID
23	KEY 3X13	54	SPRING	89	GASKET
24	PIN B5X12	55	PLUG CAP	90	INLET
25	RUBBER WASHER	56	CAP	91	INSIDE COVER
26	CRANK CASE	57	COVER	92	LID
27	GUIDE COVER	58	PLUG	93	CHAIN
28	PIN B4X10	59	GASKET	94	FUEL TANK LID COMP
29	OIL-SEAL	60	MUFFLER	95	CLEANER OUTSIDE COVER
30	SCREW M5X30	61	BOLT	96	CLEANER ELEMENT
31	FLY WHEEL	62	NUT M6	97	DEFENDER FOR CLEANER ELEMENT
32	NUT M8	63	MUFFLER COVER	98	SCREW ST4.2X12-F-H
33	STATOR	64	ADMITTING PIPE	99	CHOKE
34	BOLT M5X20	65	ADMITTING PIPE	100	CLEANER INSIDE COVER
35	CORD COMP	66	GASKET	101	CHOKE HANDLE
36	WASHER B	67	CARBURETOR	102	SCREW M5X55
37	SPRING	82	STARTER	103	STARTER PULLEY ASS'Y
38	EXPANDER	82-1	SCREW M5X12-9.8-DZ	103-1	STARTER REEL
39	WASHER	82-2	WASHER	103-2	STOP RING
40	SCREW PIN	82-3	START ROPE REEL	103-3	STARTER PAWL SPRING
41	FAN COVER	82-4	ROPE	103-4	STARTER PAWL
42	BOLT M5X25	82-5	RECOIL SPRING		
43	BEARING	82-6	START COVER ASS'Y		

UKW231109BT

*Sturmaxo*