

Sturmaxx

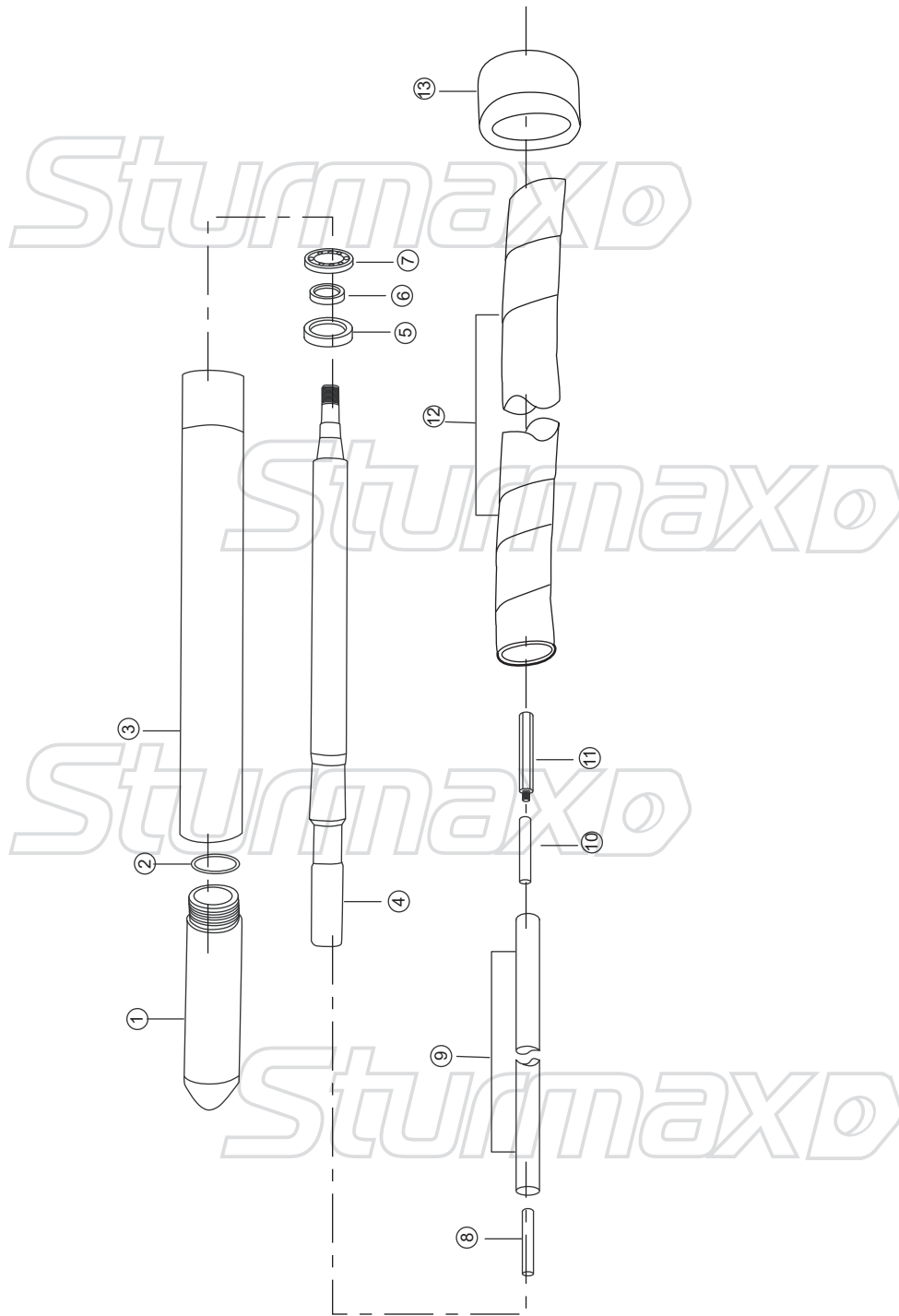
CVM71101

| NO. | DESCRIPTION | NO. | DESCRIPTION |
|-----|---------------------|-----|-----------------|
| 1 | SPINDLE | 16 | WIND GUARD |
| 2 | KEY | 17 | SCREW |
| 3 | BEARING 6200RS | 18 | STATOR |
| 4 | SCREW | 19 | HOUSING |
| 5 | GEAR BOX | 20 | SWITCH |
| 6 | GEAR | 23 | CORD CLAMP |
| 7 | CIRCLIP | 24 | SCREW |
| 8 | STEEL BUSH | 25 | CORD SLEEVE |
| 9 | MIDDLE COVER | 26 | CORD |
| 10 | BEARING 6200RS | 27 | CIRCLIP |
| 11 | ROTOR | 28 | SCREW |
| 12 | CARBON BRUSH | 990 | VIBRATION SPEAR |
| 13 | CARBON BRUSH HOLDER | 888 | HANDLE ASSEMBLY |
| 14 | BEARING 608Z | | |
| 15 | WASHER | | |

ST-UK240306

Sturmaxx

Sturmaxx



Vibrator for CVM71101

| NO. | DESCRIPTION |
|-----|------------------|
| 1 | CAP HEAD |
| 2 | O-RING |
| 3 | CASE |
| 4 | ROTARY SHAFT |
| 5 | COUNTER OIL SEAL |
| 6 | OIL SEAL |
| 7 | BEARING |
| 8 | SHAFT JOINT |
| 9 | FLEXILE SHAFT |
| 10 | SHAFT JOINT |
| 11 | HEX SHAFT JOINT |
| 12 | FLEXILE HOSE |
| 13 | LOCKING NUT |

ST-UK240306