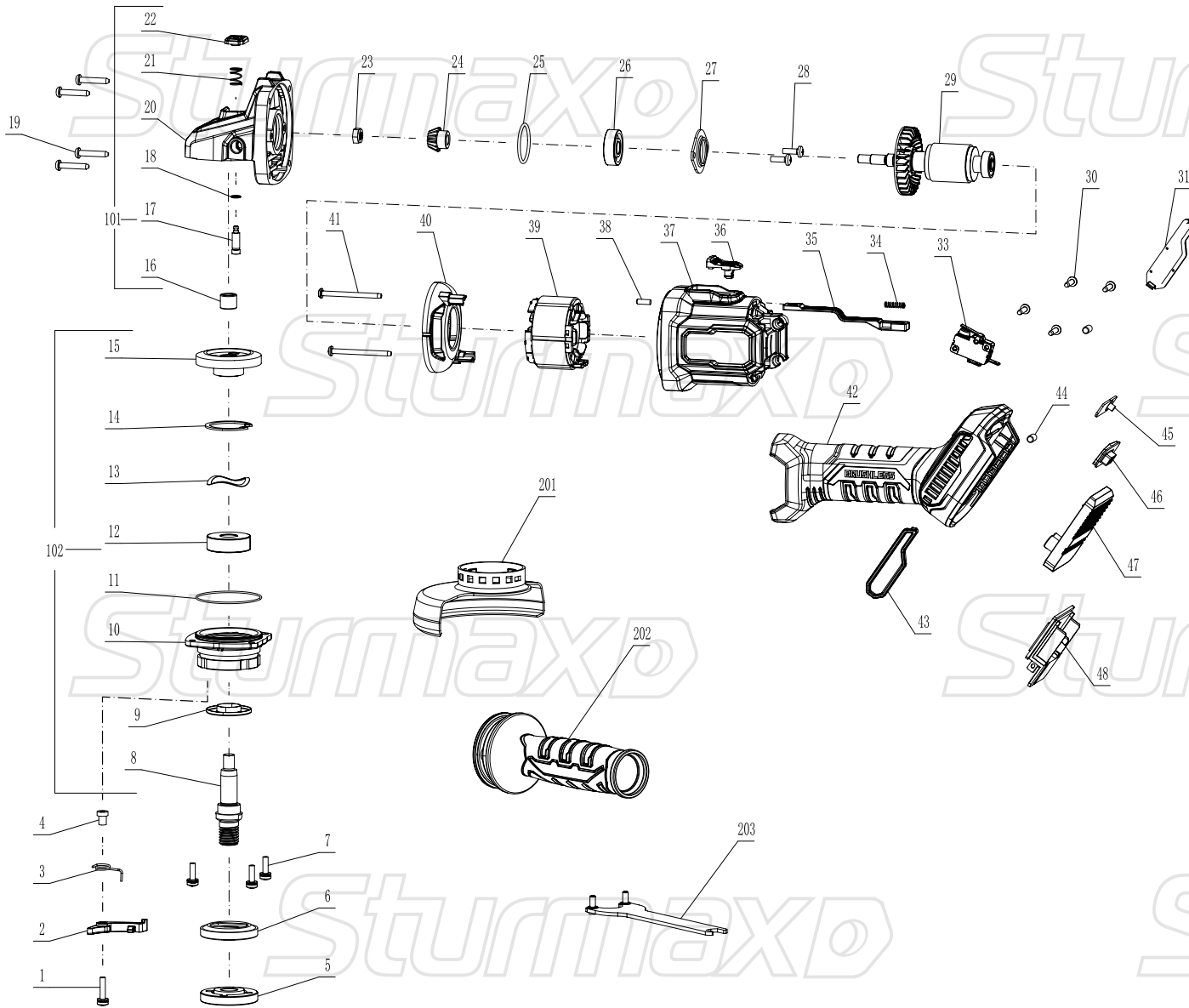


AGM9002CRP



NO.	DESCRIPTION	NO.	DESCRIPTION
1	SCREW M4×22	25	O RING
2	WHEEL GUARD LOCK	26	BEARING 629
3	TORSIONAL SPRING	27	BEARING CLAMP
4	STEEL SLEEVE	28	SCREW M4×12
5	OUTTER FLANGE	29	ROTOR
6	INNER FLANGE	30	SCREW ST3.5X16
7	SCREW M4X14	31	RIGHT DUST SHIELD
101	GEAR BOX SET	33	SIGAL SWITCH
8	SPINDLE	34	SWITCH RESET SPRING
9	DUSTPROOF COVER	35	PUSHING ROD
10	FRONT COVER	36	PUSH BUTTON
11	O RING	37	HOUSING
12	BEARING 6201	38	RUBBER COLUMN
13	WAVEFORM GASKET	39	STATOR
14	CIRCLIP FOR HOLE	40	AIR DIRECTOR
15	BIG GEAR	41	SCREW ST3.5X45
102	FRONT COVER SET	42	HANDLE
16	NEEDLE BEARING HK0810	43	LEFT DUSTPROOF SHIELD
17	SELF-LOCKING PIN	44	RUBBER COLUMN
18	O RING	45	SPEED CONTROL LABEL
19	SCREW ST4X22	46	COVER PLATE
20	GEAR BOX	47	PCB CONTROLLER
21	SELFLOCKING SPRING	48	CONNECT BASE
22	SELFLOCKING BOTTON	201	WHEEL GUARD
23	NUT M6	202	SIDE HANDLE
24	PINION	203	WRENCH

AGM9002CRP-EX-UK250312-1