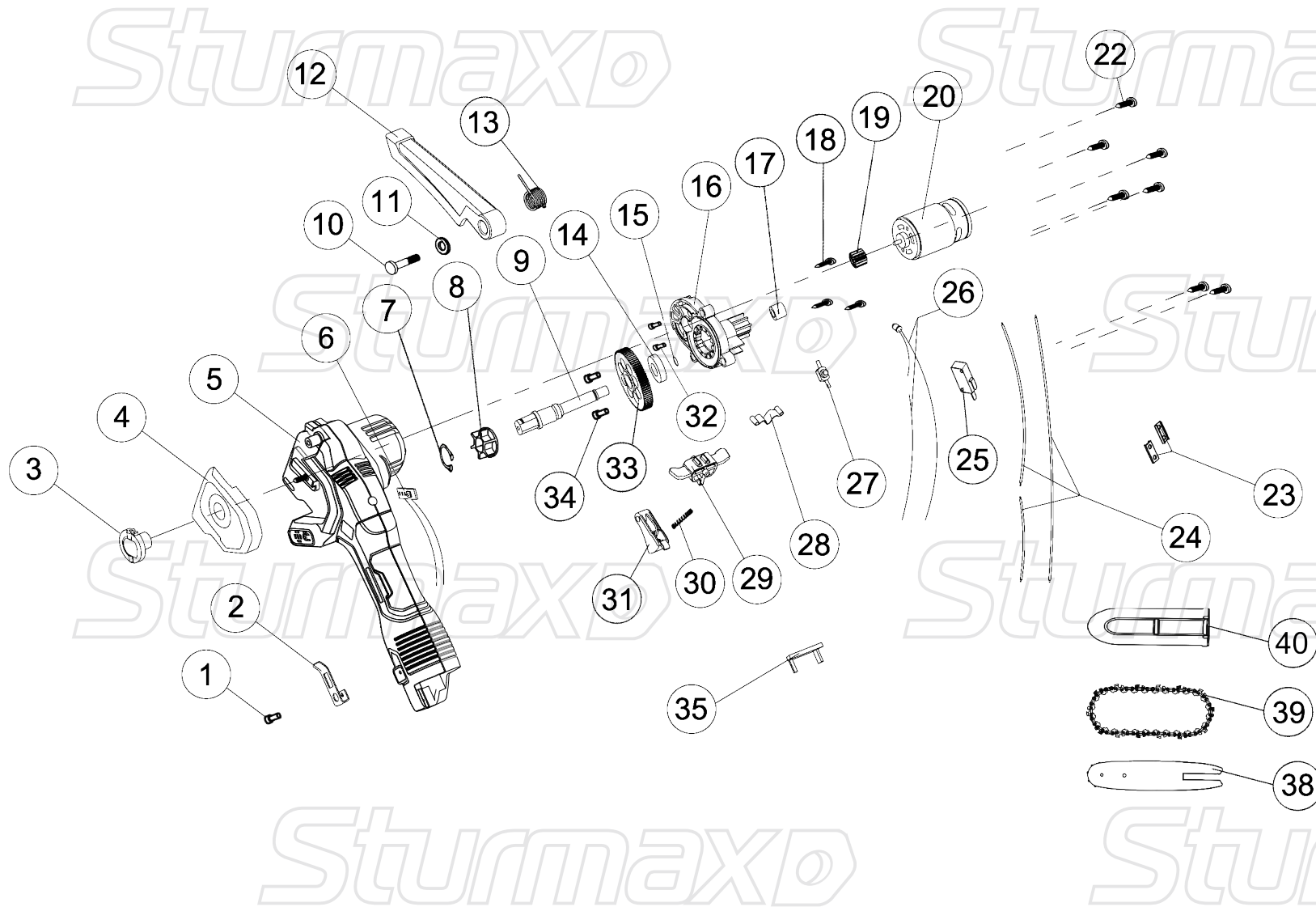


CCM9912CL



| NO. | DESCRIPTION |
|-----|-----------------------------|
| 1 | SCREW |
| 2 | HOOK |
| 3 | LOCK SCREW NUT |
| 4 | LEFT SDIE COVER |
| 5 | HOUSE |
| 6 | POWER DISPLAY CIRCUIT BOARD |
| 7 | JUMP RING |
| 8 | SPROCKET |
| 9 | OUTPUT SHAFT |
| 10 | SCREW |
| 11 | SHIM |
| 12 | PROTECTOR |
| 13 | SPRING |
| 14 | BEARING 6900ZZ |
| 15 | JUMP RING |
| 16 | MOTOR HOLDER |
| 17 | BEARING HK0608 |
| 18 | SCREW |
| 19 | MOTOR GEAR |
| 20 | MOTOR |
| 22 | SCREW |
| 23 | LOCK BOARD |
| 24 | WIRE |
| 25 | SWITCH |
| 26 | LIGHT |
| 27 | LIGHT SWITCH |
| 28 | SPRING |
| 29 | TRIGGER CONTROLLER |
| 30 | TRIGGER SPRING |
| 31 | TRIGGER |
| 32 | SCREW |
| 33 | REDUCER GEAR |
| 34 | SCREW |
| 35 | BATTERY CONNECTOR |
| 38 | BAR |
| 39 | CHAIN |
| 40 | BAR COVER |