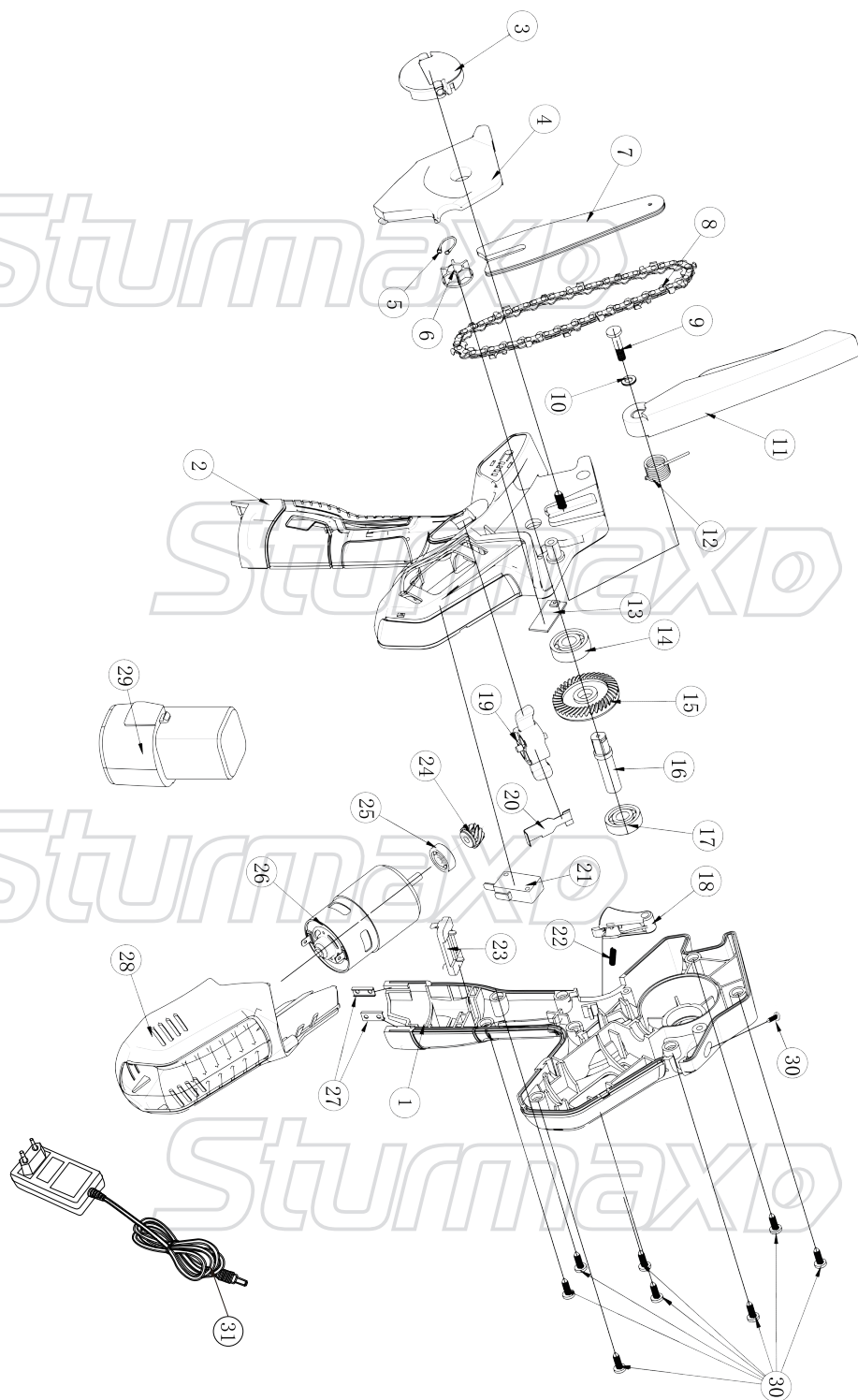


CCM9916S



NO	DESCRIPTION
1	HOUSE(RIGHT)
2	HOUSE(LEFT)
3	LOCK NUT
4	SIDE COVER
5	CIRCLIP
6	SPROCKET
7	BAR
8	CHAIN
9	SCREW
10	SHIM
11	PROTECTOR
12	PROTECTOR SPRING
13	POWER DISPLAY CIRCUIT BOARD
14	BEARING 6000
15	GEAR 35T
16	OUTPUT SHAFT
17	BEARING 609
18	TRIGGER
19	TRIGGER CONTROLLER
20	TRIGGER CONTROLLER SPRING
21	MICRO SWITCH
22	TRIGGER SPRING
23	BATTERY PINS
24	GEAR 11T
25	BEARING 635
26	MOTOR 775
27	LOCKER
28	TOP COVER
29	BATTERY
30	SCREW
31	CHARGER