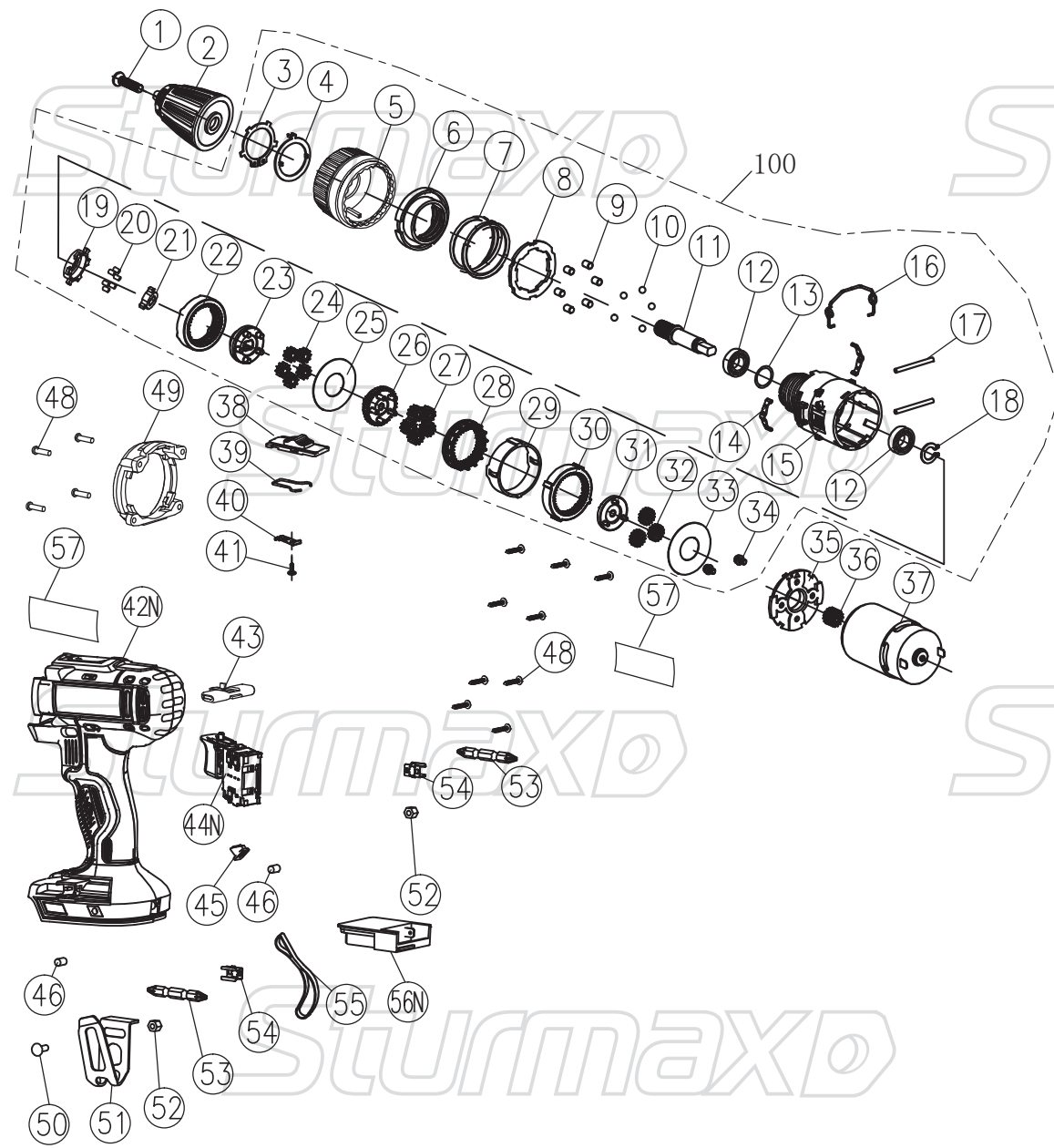


SturmaxD

CDM3201CR



NO.	DESCRIPTION	SPEC.	NO.	DESCRIPTION	SPEC.
1	CHUCK SCREW	M5X20	31	THE FIRST PLANET CARRIER	
2	CHUCK		32	THE FIRST PLANET GEAR	
3	BIG CIRCLIP		33	WASHER	
4	TORQUE ADJUSTMENT PIECE		34	SCREW	M3X8
5	TORQUE ADJUSTMENT RING		35	MOTOR COVER	
6	TORQUE ADJUSTMENT NUT		36	MOTOR GEAR	
7	SPRING		37	MOTOR	
8	BIG WASHER		38	TWO SPEED CHANGE BUTTON	
9	PIN	4X6	39	SPRING	
10	STEEL BALL	4	40	SPRING	
11	SPINDLE		41	RIVET	
12	BEARING 689Z		42N	HOUSING	
13	O-RING	13X9	43	DIRECTION CHANGLE LEVEL	
14	TORQUE ADJUSTMENT SPRING		44N	SWITCH	
15	GEAR BOX		45	LED COVER	
16	TWO SPEED CHANGE SPRING		46	RUBBER PIN	5X8
17	GEAR BOX PIN	2.5X29	48	SCREW	ST2.9X12
18	CRICLIP		49	HOUSING COVER	
19	SPINDLE LOCK RING		50	SCREW	M4X12
20	SPINDLE LOCK PIN	3X4.8	51	BUCKLE	
21	SPINDLE LOCK BLOCK		52	NUT	M4
22	INNER GEAR RING		53	SCREW BITS	
23	SPINDLE LOCK PLANET CARRIER		54	SCREW BITS HOLDER	
24	THE THIRD PLANET GEAR		55	SLING	
25	WASHER		56N	BATTERY CONNECTION FOOT	
26	THE SECOND PLANET CARRIER		57	HOUSING LABEL	
27	THE SECOND PLANET GEAR		100	GEAR BOX ASSEMBLY	
28	MOVING GEAR RING				
29	GEAR BOX BUSH				
30	UPPER GEAR RING				

UK-ST240105

SturmaxD