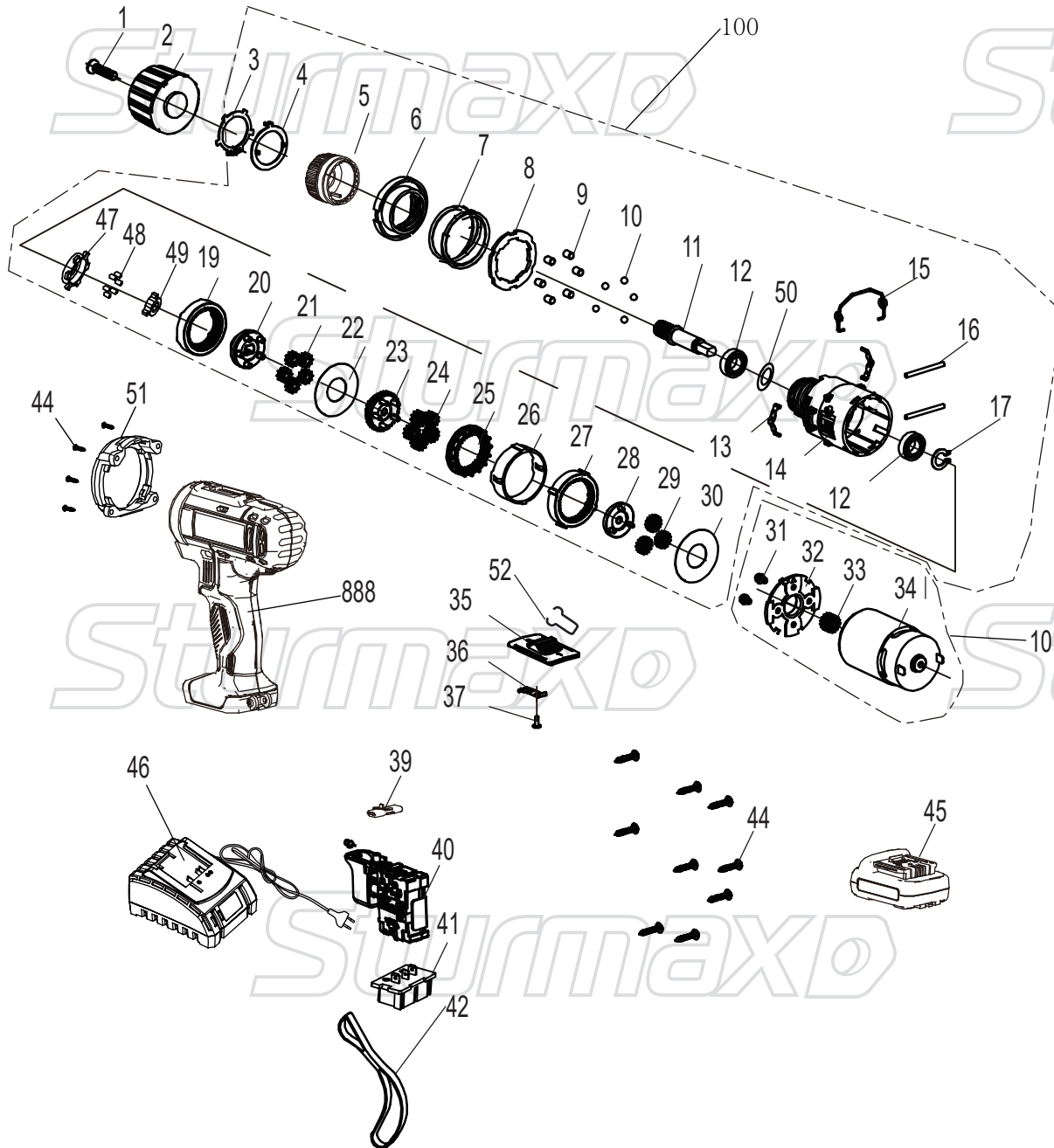


SturmaxD

CDM3224LB



NO.	DESCRIPTION	NO.	DESCRIPTION
1	CHUCK SCREW	28	THE FIRST PLANET CARRIER
2	CHUCK	29	THE FIRST PLANET GEAR
3	BIG CIRCLIP	30	WASHER
4	TORQUE ADJUSTMENT PIECE	31	SCREW
5	TORQUE ADJUSTMENT RING	32	MOTOR COVER
6	TORQUE ADJUSTMENT NUT	33	MOTOR GEAR
7	SPRING	34	MOTOR
8	BIG WASHER	35	TWO SPEED CHANGE BUTTON
9	PIN	36	SPRING
10	STEEL BALL	37	RIVET
11	SPINDLE	39	DIRECTION CHANGE LEVEL
12	BEARING 689Z	40	SWITCH
13	TORQUE ADJUSTMENT SPRING	41	BATTERY CONNECTION FOOT
14	GEAR BOX	42	SLING
15	TWO SPEED CHANGE SPRING	44	SCREW
16	GEAR BOX PIN	45	BATTERY PACK
17	CRICLIP	46	CHARGER
18	WASHER	47	SPINDLE LOCK RING
19	INNER GEAR RING	48	SPINDLE LOCK PIN
20	THE THIRD PLANET CARRIER	49	SPINDLE LOCK BLOCK
21	THE THIRD PLANET GEAR	50	O RING
22	WASHER	51	HOUSING COVER
23	THE SECOND PLANET CARRIER	52	SPRING
24	THE SECOND PLANET GEAR	100	GEAR BOX ASSEMBLY
25	MOVING GEAR RING	101	MOTOR ASSEMBLY
26	GEAR BOX BUSH	888	HOUSING ASSEMBLY
27	UPPER GEAR RING		

ST-UKW231215

SturmaxD