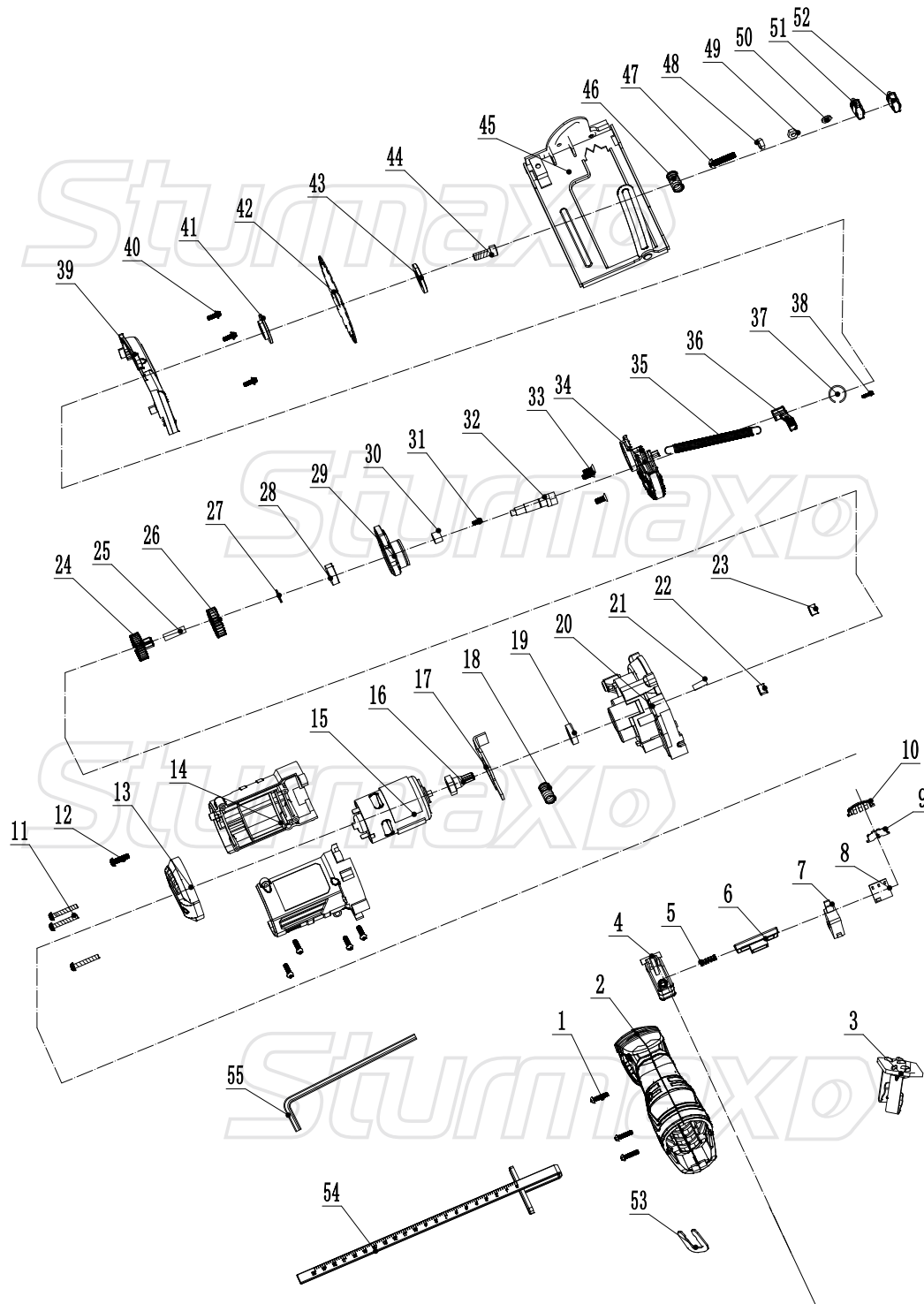


# CSM5012CL



NO.	DESCRIPTION	NO.	DESCRIPTION
1	Screw	29	Frong cover
2	Plasti handle	30	Rubber parts
3	Battery connecting pin	31	Screw
4	Switch trigger	32	Shaft
5	Spring	33	Screw
6	Switch bar	34	Protecting cover
7	Switch	35	Spring
8	Led light	36	Buttong
9	Light frame	37	Position spring
10	Light cover	38	Spring
11	Screw	39	Decrocatng cover
12	Screw	40	Screw
13	Back cover	41	Pressing board
14	Plastic housing	42	Saw
15	Motor	43	Upper pressing board
16	Motor gear	44	Screw
17	Lock parts	45	Bottom board parts
18	Spring	46	Spring
19	Bearing 6800	47	Screw
20	Alu head cover	48	Nuts
21	Needle bearing	49	Nuts
22	Shaft cover	50	Washer
23	Shaft cover	51	Nuts
24	Small gear	52	Nuts
25	Pin	53	Blocking spring
26	Big gear	54	Parallel ruler
27	Circlip	55	Allen key
28	Bearing 698		