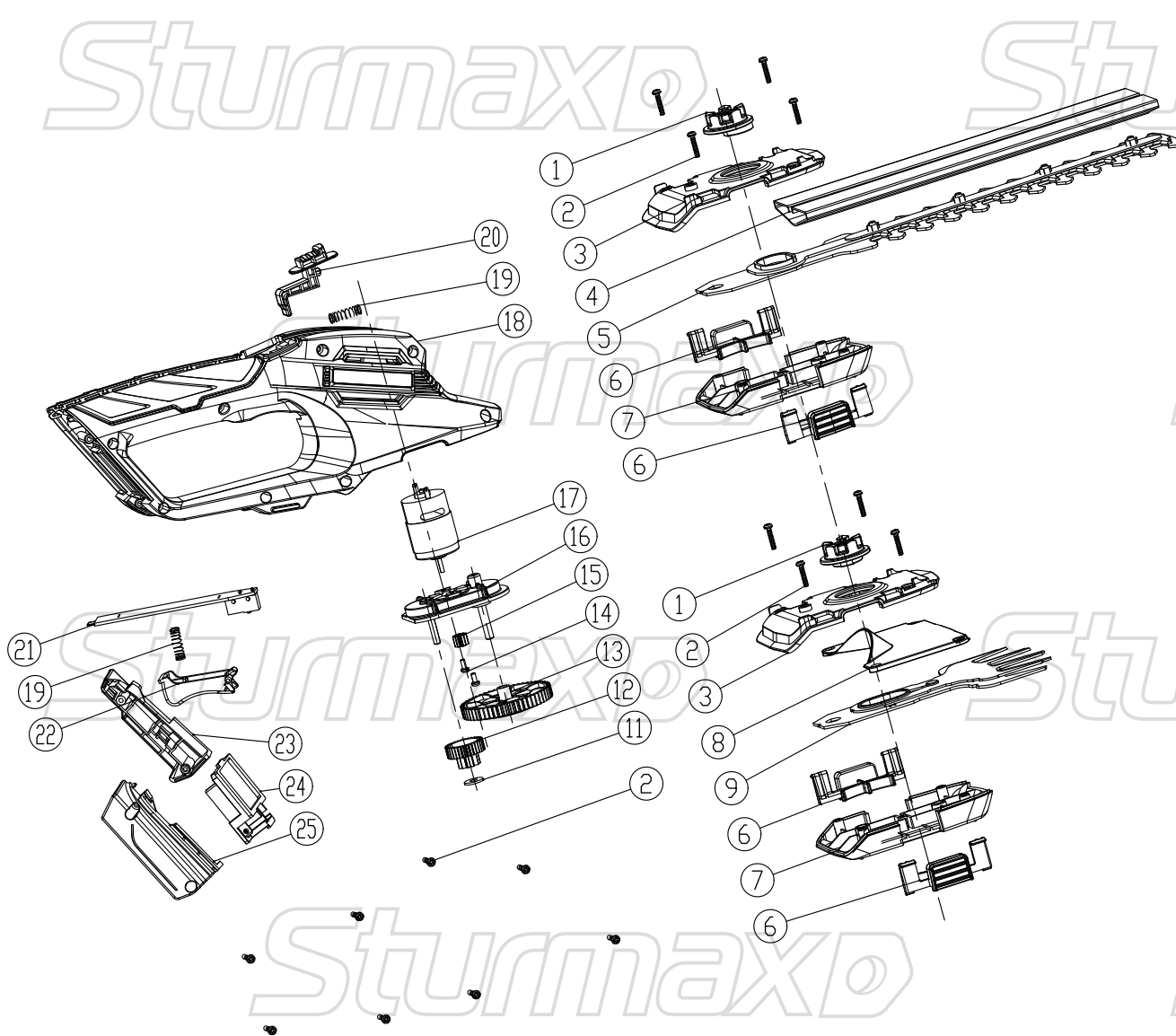


GTM3720CR



NO.	DESCRIPTION
1	CONNECTION BLOCK
2	SCREW ST.5X16
3	UP PRESS BOARD
4	HEDGE TRIMMER BLADE COVER
5	HEDGE TRIMMER BLADE
6	LOCKING BUTTON
7	DOWN COVER
8	GRASS TRIMMERB BLADE COVER
9	GRASS TRIMMERB BLADE
11	WASHER
12	MIDDLE GEAR
13	BIG GEAR
14	SCREW M2.5X6
15	MOTOR GEAR
16	MIDDLE BRAK CET
17	MOTOR GEAR
18	HOUSING
19	SPRING
20	SAFETY BUTTON
21	PCB
22	TRIGGER
23	LEFT BATTERY HOLDER
24	BATTERY CONNECTION BOARD
25	RIGHT BATTERY HOLDER