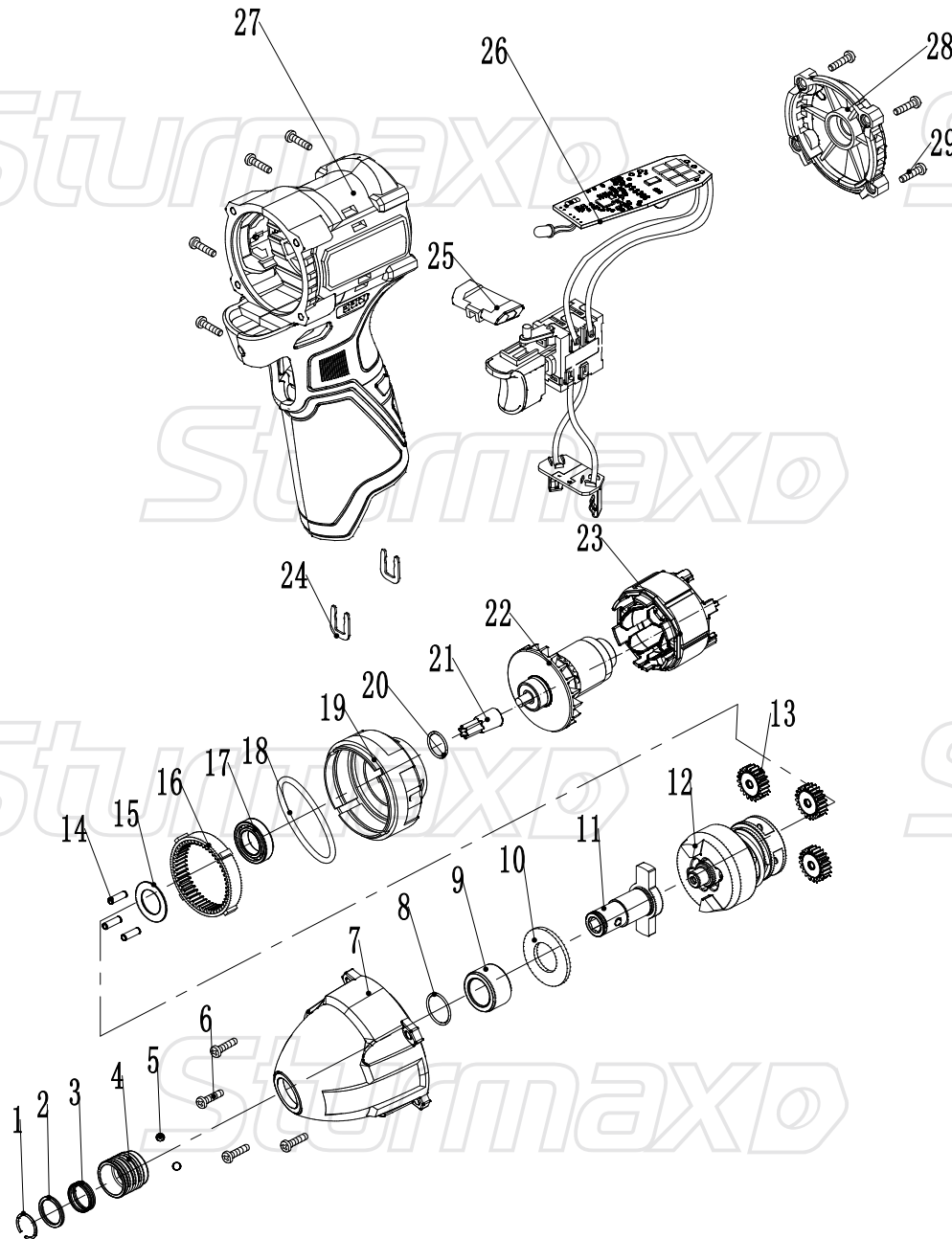


IWM3212CLB



NO.	DESCRIPTION
1	Circlip
2	Gasket
3	Spring
4	Change sleeve
5	Steel ball $\varnothing 3.5$
6	Screw ST4x18
7	Head cap
8	O-Ring $\varnothing 18 \times 2$
9	Shaft bush
10	Grommet
11	Output shaft
12	Impact component
13	Planetary gear
14	Pin
15	Gasket
16	Inner gear ring
17	Bearing 6901
18	O-Ring $\varnothing 43 \times 1$
19	Gear box
20	O-Ring $\varnothing 15 \times 1$
21	Motor gear
22	Brushless rotor
23	Brushless stator
24	U-Shaped buckle
25	Reversing lever
26	Switch assembly
27	Housing
28	Rear cover
29	Screw ST3x14

IWM3212CLB-EX-UKW230707