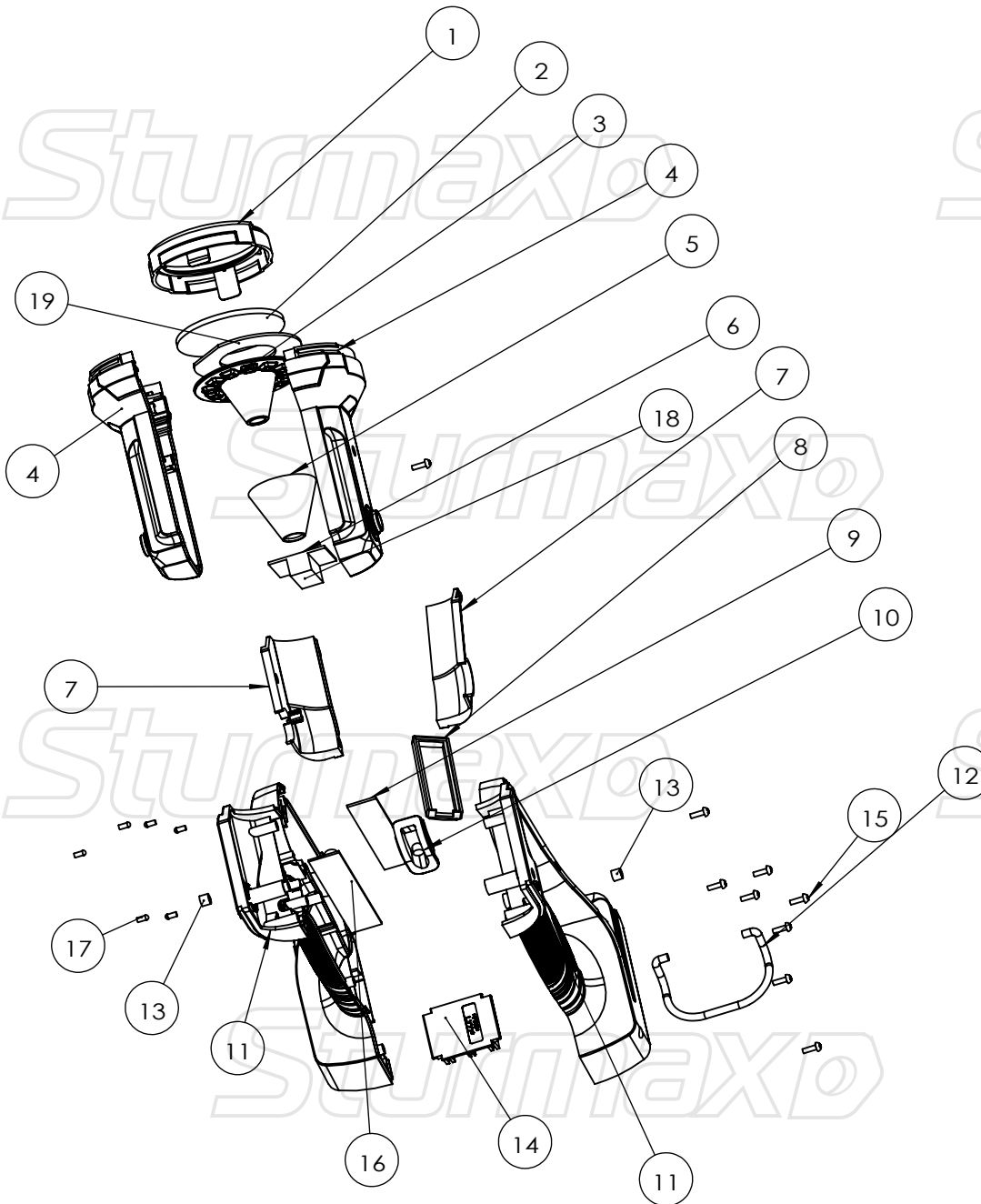


# Sturmax

## LLM8320CR



NO.	DESCRIPTION
1	LIGHT COVER
2	GLASS COVER
3	REFLECTIVE CUP
4	HOUSING ASSEMBLY
5	COVER
6	SPOT LIGHT PCB
7	BUCKLE PLATE ASSEMBLY
8	INSPECTION LIGHT COVER
9	INSPECTION LIGHT PCB
10	SWITCH COVER
11	HANDLE ASSEMBLY
12	HOOK
13	HOOK PLUG
14	CONNECTION FOOT
15	SCREW ST3×12
16	SWITCH PCB
17	SCREW ST3×5
18	HEAT DISSIPATION BLOCK
19	FLOOD LIGHT PCB

UK250411-1