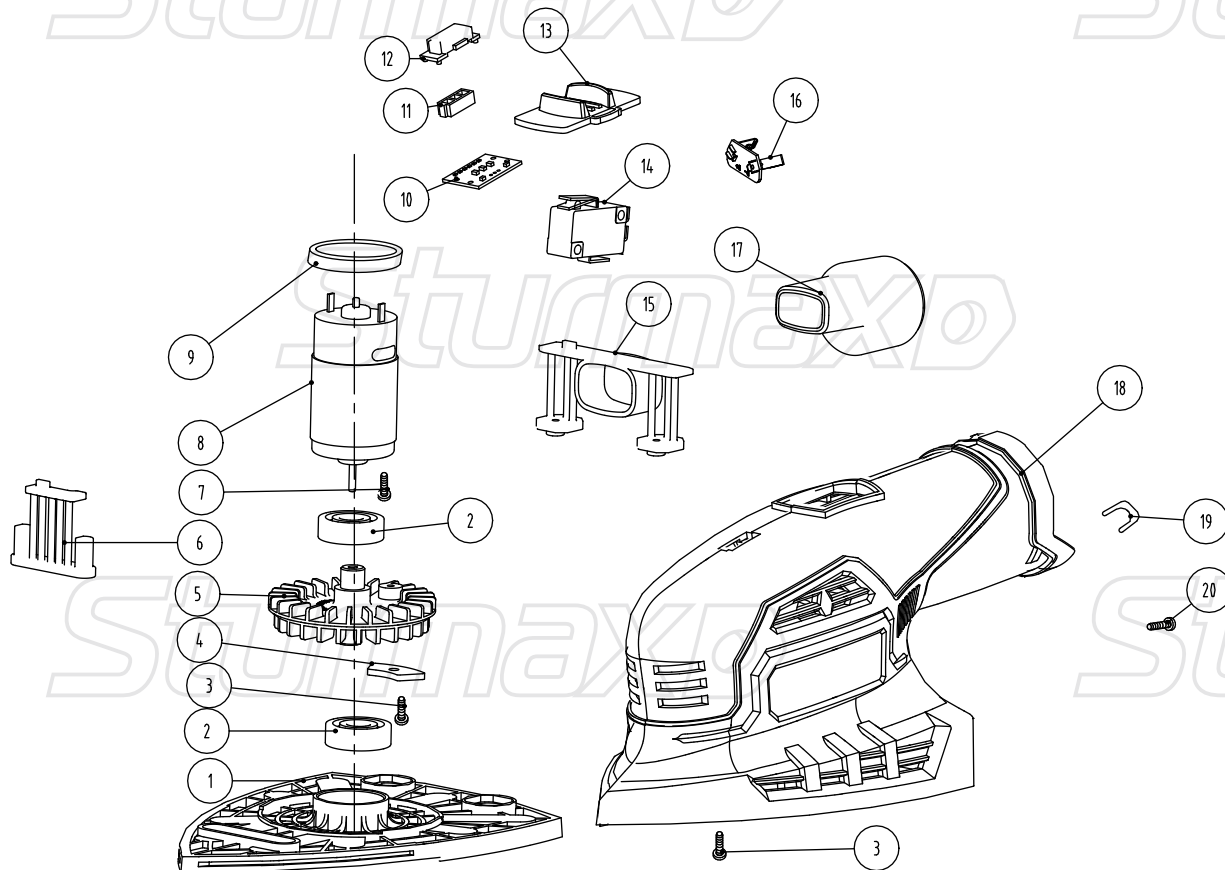


OSM8112CL



NO.	DESCRIPTION
1	Base board
2	Bearing 608
3	Screw ST2.9x10
4	Clump weight
5	Fan
6	Front bracket
7	Screw
8	Motor
9	Damping ring $\varnothing 30.8 \times \varnothing 27 \times 4$
10	Display board
11	Lamp holder
12	Lamp cover
13	Switch botton
14	Switch
15	Back bracket
16	Battery lead plate
17	Dust connector
18	Housing
19	U-Shaped buckle
20	ST2.9x14

OSM8112CL-EX-UKW230707