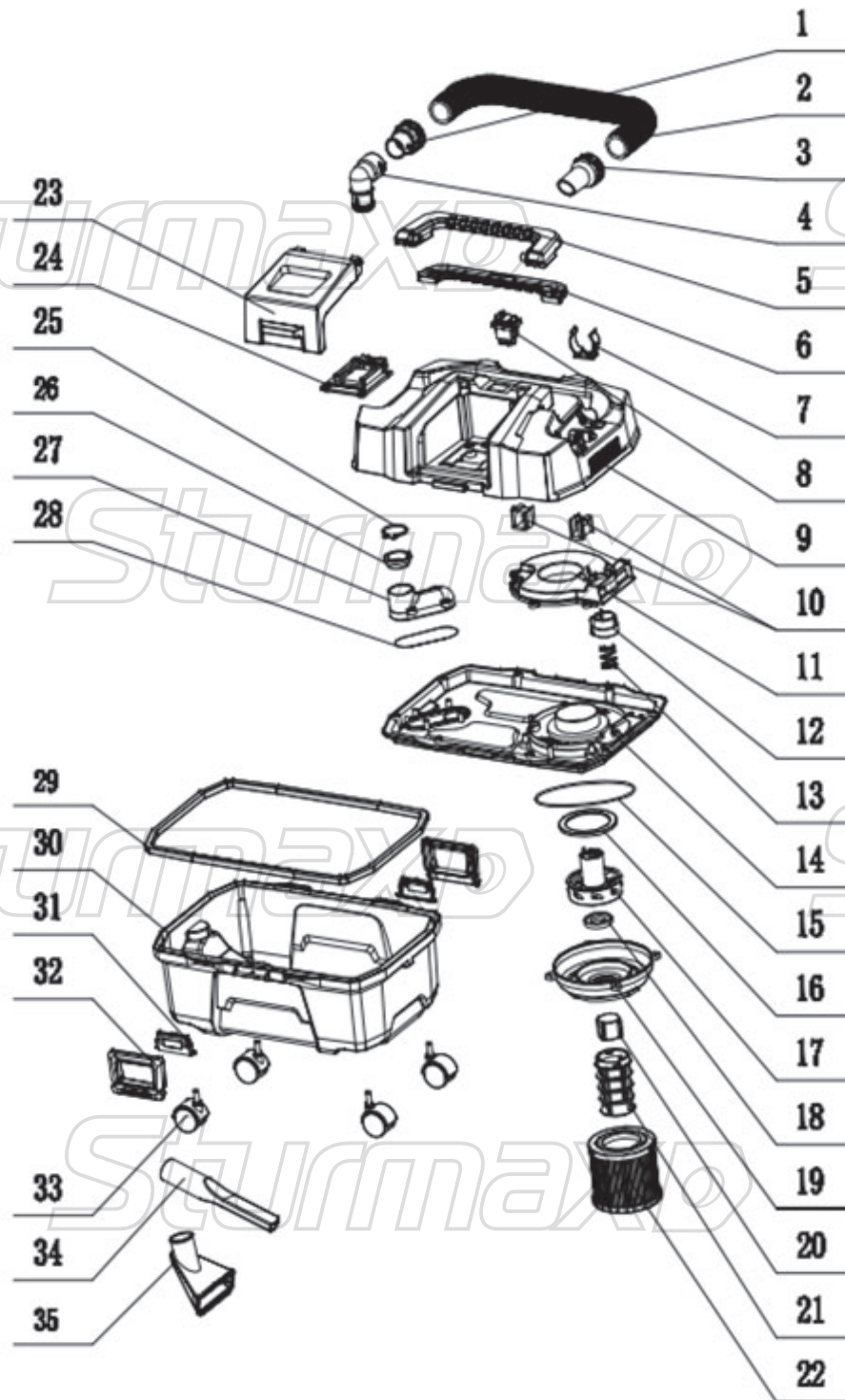


VCM7201CR



NO.	DESCRIPTION
1	SUCTION MOUTH CONNECTER
2	TELESCOPIC FLEXIBLE HOSE
3	HOSE CONNECTER
4	SUCTION CONNECTER
5	HANDLE
6	HANDLE COVER
7	HOSE CLAMP
8	SWITCH
9	TOP COVER
10	LEFT/IGHT BLOCK
11	MOTOR COVER
12	BLOWER CONTROLLER
13	BLOWER SPRING
14	BARREL CAP
15	RUBBER SEALING STRIP
16	MOTOR UPPER SEAL RING
17	MOTOR
18	MOTOR LOWER SEAL RING
19	MOTOR BASE
20	SAFETY VALVE
21	BRACKET
22	HEPA FILTER
23	BATTERY COVER
24	BATTERY SEAT
25	BLOCK RING
26	CONNECTER SEAL RING
27	CONNECTER TUBE
28	CONNECTER SEALING STRIP
29	BARREL SEALING STRIP
30	PLASTIC BARREL
31	PLASTIC BUCKLE SEAT
32	PLASTIC BUCKLE
33	UNIVERSAL WHEELS
34	CREVICE NOZZLE
35	TRIANGLE NOZZLE

VCM7201CR-EX-UK240105