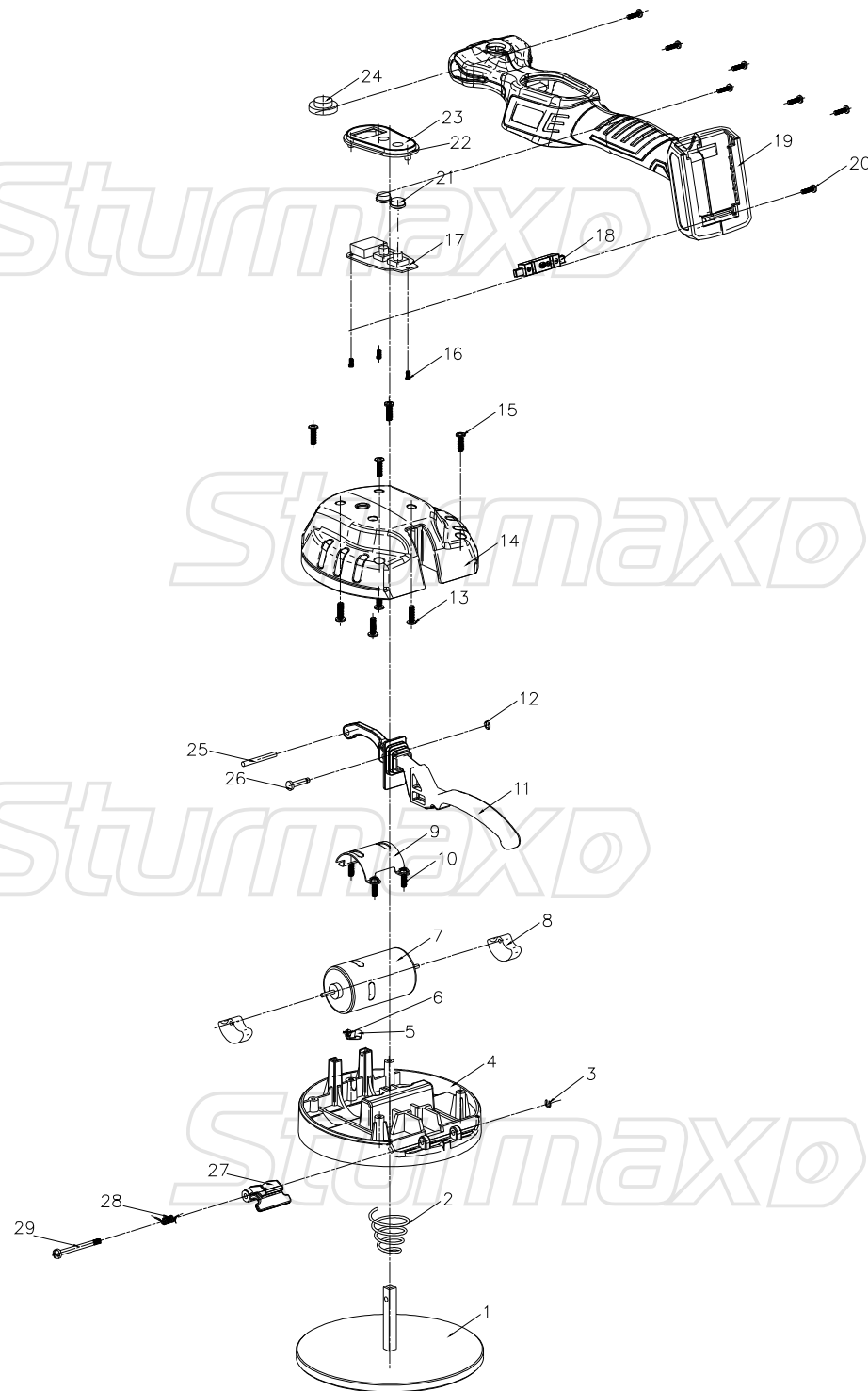


# VSM20120CR



NO.	DESCRIPTION
1	Suction disc
2	Suction disc spring
3	Horseshoe clamp Φ3mm
4	Aluminum base
5	R-shaped wire buckle
6	Screw M5x8
7	Motor
8	Eccentric wheel
9	Motor cover
10	Screw M4x14
11	Handle
12	Horseshoe clamp Φ3mm
13	Screw M4x14
14	Upper cover
15	Screw M4x14
16	Screw M2.5x6
17	PCB
18	Connect plug
19	housing
20	Screw M3x14
21	Button cap
22	Indicator label
23	Transparent cover
24	Horizontal bubble
25	Handle direct pin M4x36
26	Handle cap pin M4x20
27	Handle column
28	Handle column spring
29	Pin M4x45