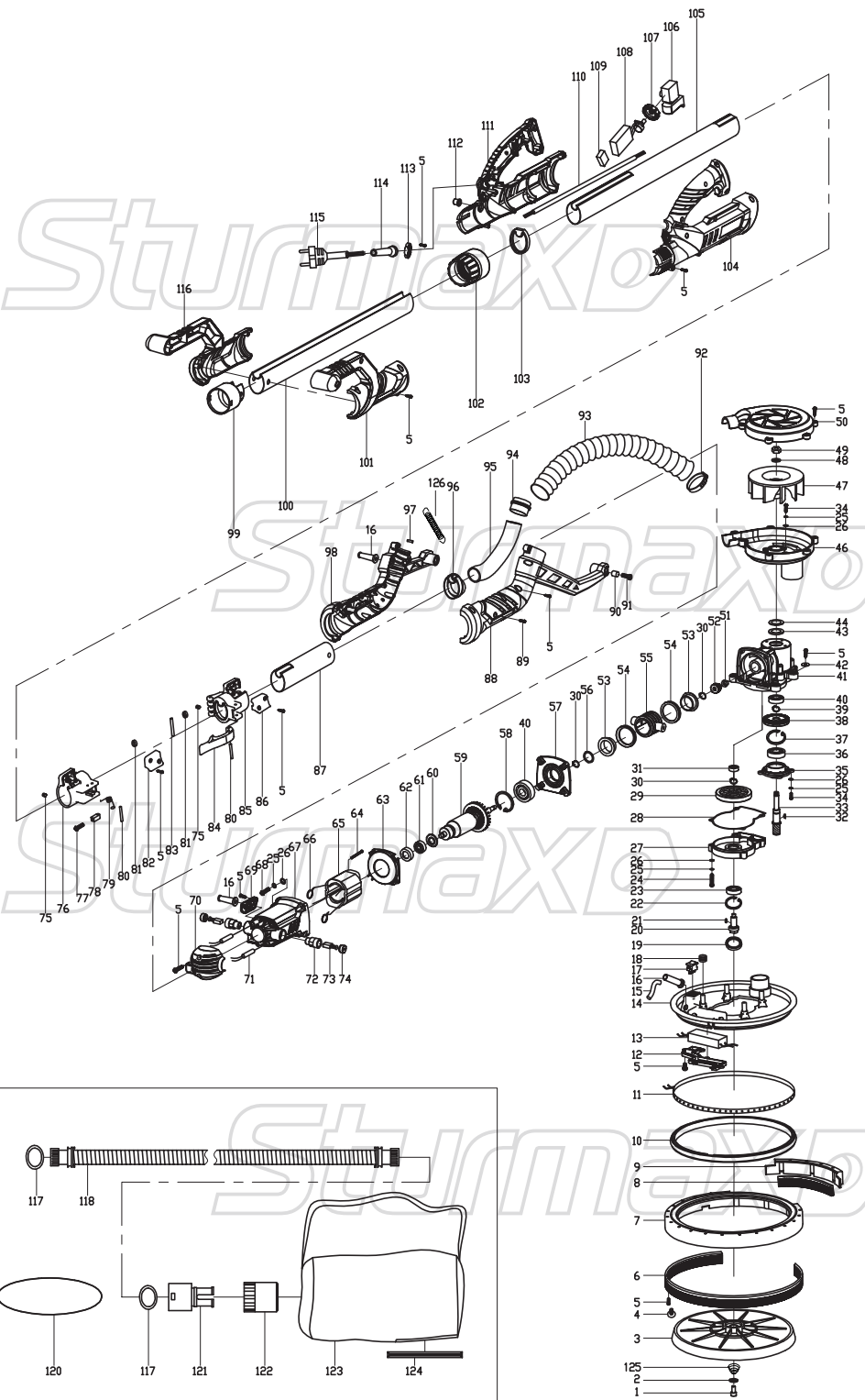


# DWSM6075SL



NO.	DESCRIPTION	NO.	DESCRIPTION	NO.	DESCRIPTION
1	HEX SOCKET SCREWSM6X16	43	FELT PAD $\Phi 10 \times \Phi 23 \times 3$	86	FRONT FOLDING JOINT BLOCK
2	WASHER 6	44	WASHER $\Phi 10.2 \times \Phi 23 \times 1$	87	FRONT MAIN ALLOY PIPE
3	POLISHING PAD	46	DOWN FAN BLADE ROOM	88	RIGHT FRONT HANDLE
4	TAPPING SCREW ST4X12	47	FAN BLADE	89	TAPPING SCREW ST4X30
5	SELF-TAPPING SCREWSST4X14	48	WASHER8	90	STEEL BUSHING $\Phi 6 \times \Phi 8 \times 8$
6	BRUSH	49	LOCK NUTM8	91	SOCKET HEAD CAP SCREW M6X16
7	HOOD	50	UPPER FAN BLADE HOUSE	92	CLAMP 25-38
8	BRUSH SEGMENT	51	LOCK NUT M6	93	SUCTION HOSE
9	INNER COVER EDGE	52	SMALL BEVEL GEAR	94	HOSE CONNECTION
10	LED COVER	53	PLASTIC SLEEVE	95	WIRED HOSE $\Phi 28$
11	LED LIGHT DRIVER	54	DAMPING RING	96	BUSHING BLOCK
12	LIGHT DRIVER COVER	55	PIVOT BUSH UNIT	97	CYLINDRICAL PIN
13	LED LIGHT DRIVER	56	FELT PAD	98	LEFT FRONT HANDLE
14	SANDING PAD COVER	57	MIDDLE COVER	99	CONNECTOR
15	LED LIGHT CABLE	58	HOLE CIRCLIP26	100	EXTENSION ALLOY PIPE
16	CABLE SLEEVE	59	ROTOR	101	RIGHT REAR HANDLE
17	LED LIGHT SWITCH	60	DUST RING	102	TIGHTEN CONNECTOR
18	SPRING	61	BEARING 607-2RS	103	SEAL RING
19	SKELETON SEAL	62	BEARING SLEEVE	104	RIGHT MAIN HANDLE
20	OUTPUT SHAFT	63	ANTI-WIND RING	105	MAIN ALLOY PIPE
21	FLAT KEY 3X3X8	64	SLOTTED TAPPING SCREW	106	SWITCH
22	HOLE CIRCLIP 22	65	STATOR	107	SPEED BUTTON
23	BEARING 6900-2RS	66	SOUND TENSION SPRING	108	SPEED CONTROLLER
24	CROSS RECESSED PAN HEAD SCREW M4X20	67	COVER	109	CAPACITOR 2X0.33MF
25	SPRING WASHER 4	68	CROSS RECESSED PAN HEAD SCREW M4X25	110	INNER MAIN CABLE
26	WASHER4	69	PLASTIC PRESSURE BLOCK	111	LEFT MAIN HANDLE
27	BIG FRONT COVER	70	REAR MOTOR COVER	112	LIMIT BUTTON
28	PAPER PAD	71	INDUCTOR	113	CABLE PRESSING PLATE
29	GEAR	72	CARBON BRUSH HOLDER	114	CABLE SLEEVE
30	SHAFT CIRCLIP10	73	CARBON BRUSH 6X9X12	115	MAIN CABLE
31	BEARING 606-2Z	74	BRUSH HOLDER COVER	116	LEFT REAR HANDLE
32	SEMICIRCULAR KEY 3X10	75	BLIND RIVETS 5X8	117	FOAM PAD $\Phi 35 \times \Phi 45 \times 2$
33	GEAR SHAFT	76	REAR FOLDING JOINT	118	HOSE ASSEMBLIES
34	CROSS RECESSED PAN HEAD SCREW M4X12	77	CROSS RECESSED PAN HEAD SCREW M5X8	119	HEX WRENCH
35	SMALL FRONT COVER	78	SCREW SLEEVE	120	SANDING PAPER
36	BEARING 6001-2RS	79	TORSION SPRING	121	CONNECTOR 2
37	HOLE CIRCLIP 28	80	ROUND PIN $\Phi 4 \times 30$	122	CONNECTOR 3
38	BIG BEVEL GEAR	81	CABLE RETAINER	123	DUST BAG
39	SHAFT CIRCLIP 12	82	REAR FOLDING JOINT BLOCK	124	POCKET FOLDER
40	BEARING 6000-2RS	83	ROUND PIN $\Phi 5 \times 45$	125	SPRING
41	GEAR BOX	84	WRENCH	126	SPRING
42	WASHER $\Phi 4.2 \times \Phi 12 \times 1$	85	FRONT FOLDING JOINT		