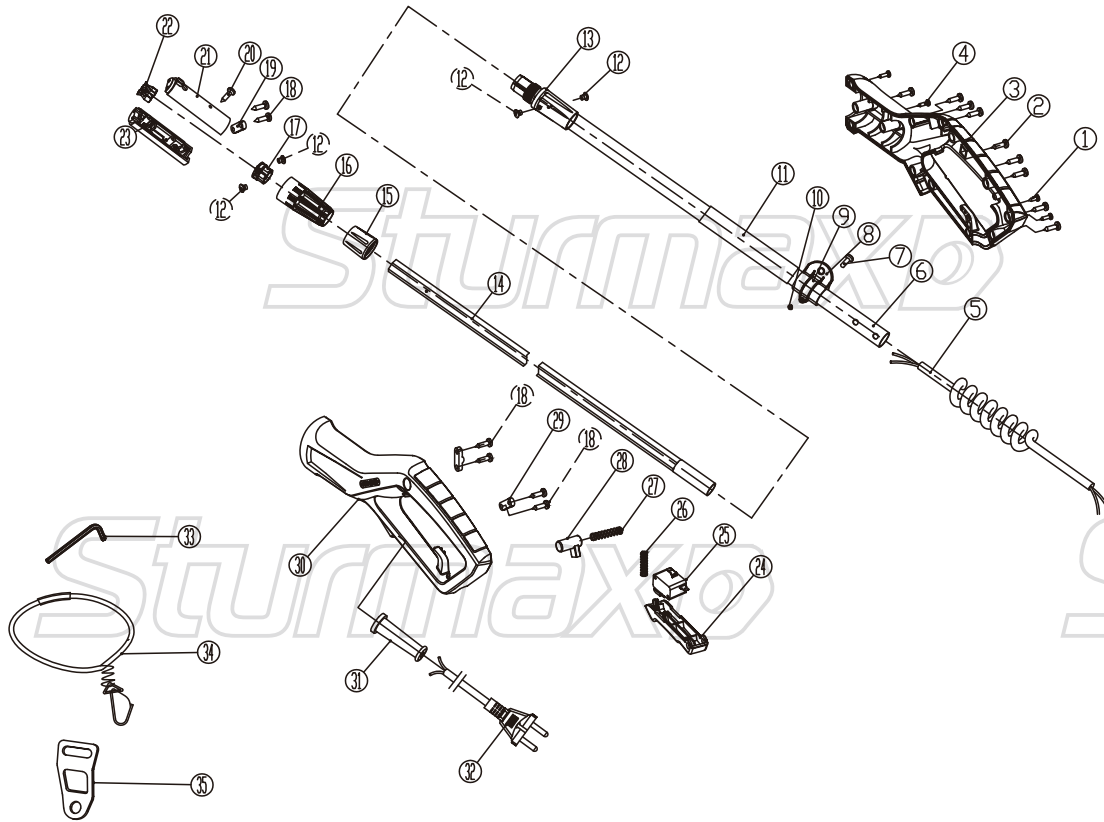


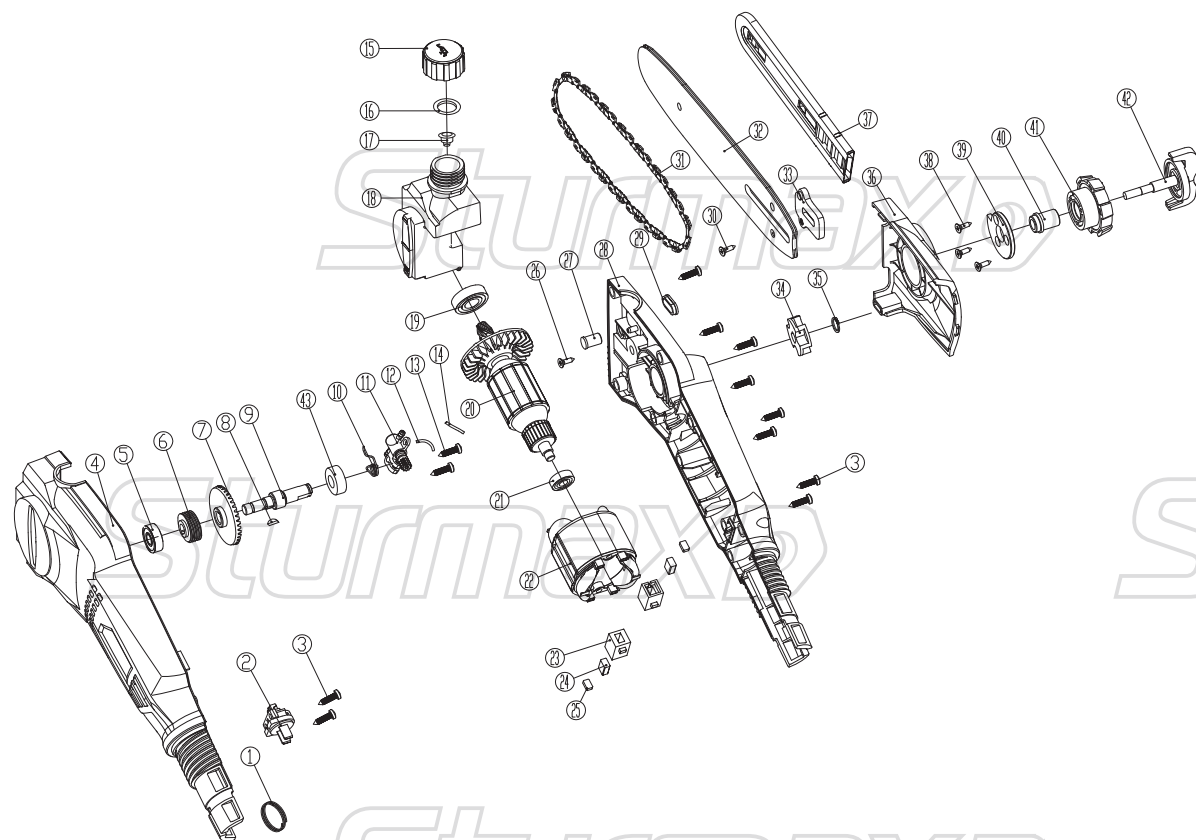
## EMP3580 HANDLE

| NO. | DESCRIPTION        | NO. | DESCRIPTION  |
|-----|--------------------|-----|--------------|
| 1   | SCREW ST3*8        | 31  | CABLE SLEEVE |
| 2   | SCREW ST4X16       | 32  | CABLE        |
| 3   | RIGHT HANDLE       | 33  | SPANNER      |
| 4   | SCREW ST3*12       | 34  | BELT         |
| 5   | SPRING LINE        | 35  | CABLE HANGER |
| 6   | FIBER PIPE         |     |              |
| 7   | SCREW M5X14        |     |              |
| 8   | BELT FIXING RING   |     |              |
| 9   | HANGER             |     |              |
| 10  | NUT M5             |     |              |
| 11  | SPONGE             |     |              |
| 12  | RIVET              |     |              |
| 13  | CONNECTOR          |     |              |
| 14  | ALUMINUM PIPE      |     |              |
| 15  | THREAD LOCK SLEEVE |     |              |
| 16  | LOCK SLEEVE        |     |              |
| 17  | LOCATION SLEEVE    |     |              |
| 18  | SCREW ST4 X 12     |     |              |
| 19  | TENSION DISC       |     |              |
| 20  | SCREW ST3 X 16     |     |              |
| 21  | LEFT FIX BODY      |     |              |
| 22  | CONNECTING PLATE   |     |              |
| 23  | RIGHT FIX BODY     |     |              |
| 24  | TRIGGLE            |     |              |
| 25  | SWITCH             |     |              |
| 26  | TRIGGLE SPRING     |     |              |
| 27  | KNOB SPRING        |     |              |
| 28  | SELF LOCK KNOB     |     |              |
| 29  | TENSION DISC       |     |              |
| 30  | LEFT HANDLE        |     |              |



Sturmaxo

## EPM3580 MOTOR



| NO. | DESCRIPTION             | NO. | DESCRIPTION             |
|-----|-------------------------|-----|-------------------------|
| 1   | SPRING                  | 31  | SAW CHAIN               |
| 2   | PLUG                    | 32  | GUIDE BAR               |
| 3   | SCREW ST4X16            | 33  | ADJUSTING PLATE         |
| 4   | LEFT HOUSING            | 34  | SPROCKET                |
| 5   | BEARING 608             | 35  | RETAINER RING $\Phi 10$ |
| 6   | GEAR WORM               | 36  | SPROCKET COVER          |
| 7   | BIG GEAR                | 37  | BAR COVER               |
| 8   | KEY                     | 38  | SCREWS 4*14             |
| 9   | OUTPUT SHAFT            | 39  | CAM                     |
| 10  | OIL PUMP TORSION SPRING | 40  | ADJUSTING SLEEVE        |
| 11  | OIL PUMP                | 41  | ADJUSTING KNOB          |
| 12  | OIL OUT PIPE            | 42  | LOCK KNOB               |
| 13  | OIL PUMP SCREW          | 43  | BEARING 6900            |
| 14  | INLET PIPE              |     |                         |
| 15  | OIL TANK COVER          |     |                         |
| 16  | OIL TANK WASHER         |     |                         |
| 17  | BREATHER                |     |                         |
| 18  | OIL TANK                |     |                         |
| 19  | BEARING 6001            |     |                         |
| 20  | ROTOR                   |     |                         |
| 21  | BEARING 607             |     |                         |
| 22  | STATOR                  |     |                         |
| 23  | BRUSH HOLDER            |     |                         |
| 24  | CARBON BRUSH            |     |                         |
| 25  | BRUSH COVER             |     |                         |
| 26  | SCREWS 3*8              |     |                         |
| 27  | LOCATION PIN            |     |                         |
| 28  | RIGHT HOUSING           |     |                         |
| 29  | SEAL RING               |     |                         |
| 30  | SCREW                   |     |                         |

Sturmaxo

Sturmaxo