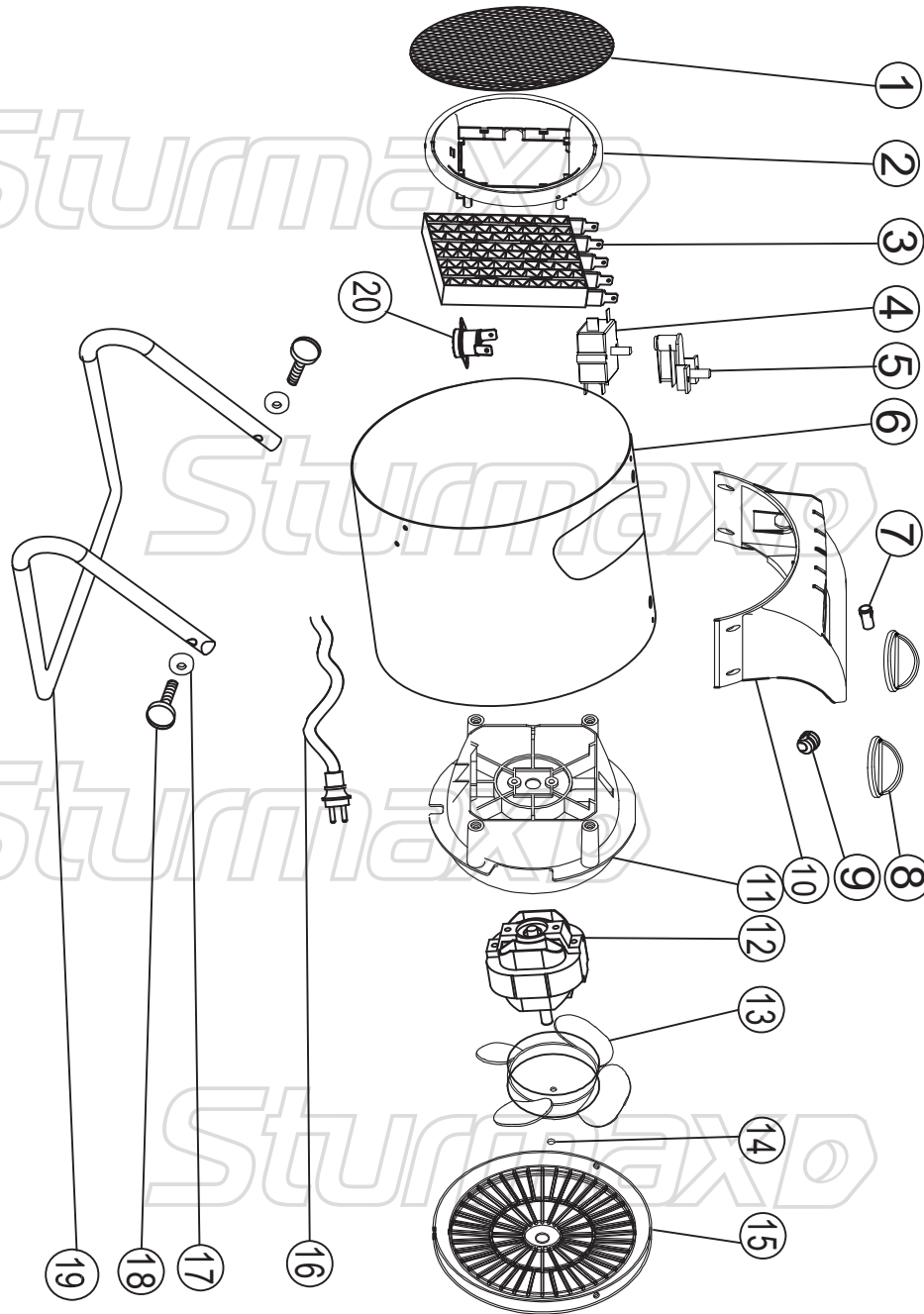


FHM2221RC



NO.	DESCRIPTION
1	FRONT GRILL
2	FRONT PTC BRACKET
3	PTC
4	SWITCH
5	THERMOSTAT
6	OUTER CASING
7	POWER INDICATOR
8	KNOB
9	LOCK
10	CONTROL BOX
11	BACK PTC BRACKET
12	MOTOR
13	FAN BLADE
14	FIXING NUT
15	BACK GRILL
16	CABLE & PLUG
17	FRAME GASKET
18	SCREW
19	BOTTOM FRAME
20	THERMAL CUT-OUT

FHM2221RC-EX-UK260521-1