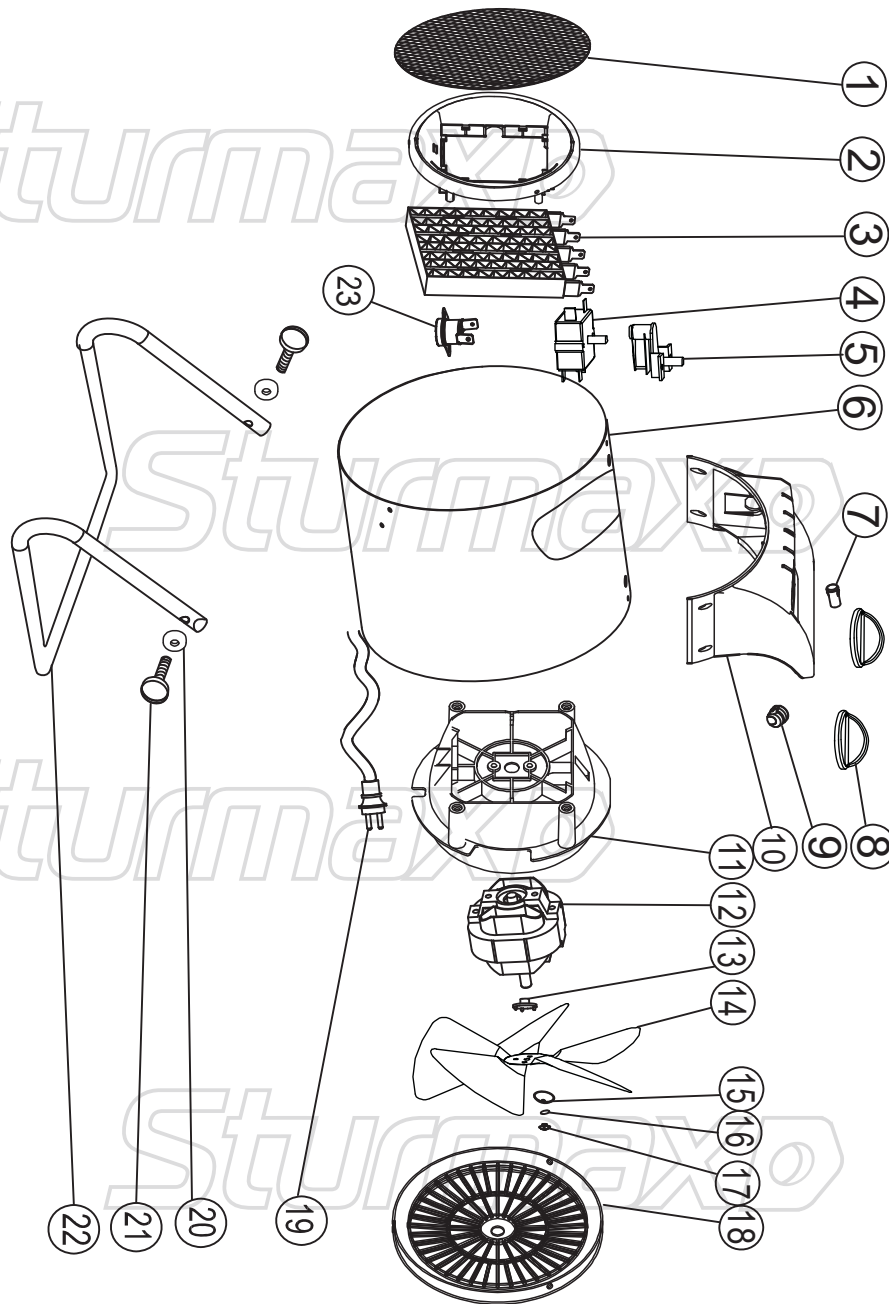


FHM2231RC



NO.	DESCRIPTION
1	FRONT GRILL
2	FRONT PTC BRACKET
3	PTC
4	SWITCH
5	THERMOSTAT
6	OUTER CASING
7	POWER INDICATOR
8	KNOB
9	LOCK
10	CONTROL BOX
11	BACK PTC BRACKET
12	MOTOR
13	FAN BASE
14	FAN BLADE
15	THE BLADES CLAMP
16	GASKET
17	SCREWS
18	BACK GRILL
19	CABLE & PLUG
20	FRAME GASKET
21	SCREW
22	BOTTOM FRAME
23	THERMAL CUT-OUT

FHM2231RC-EX-UK260521-1