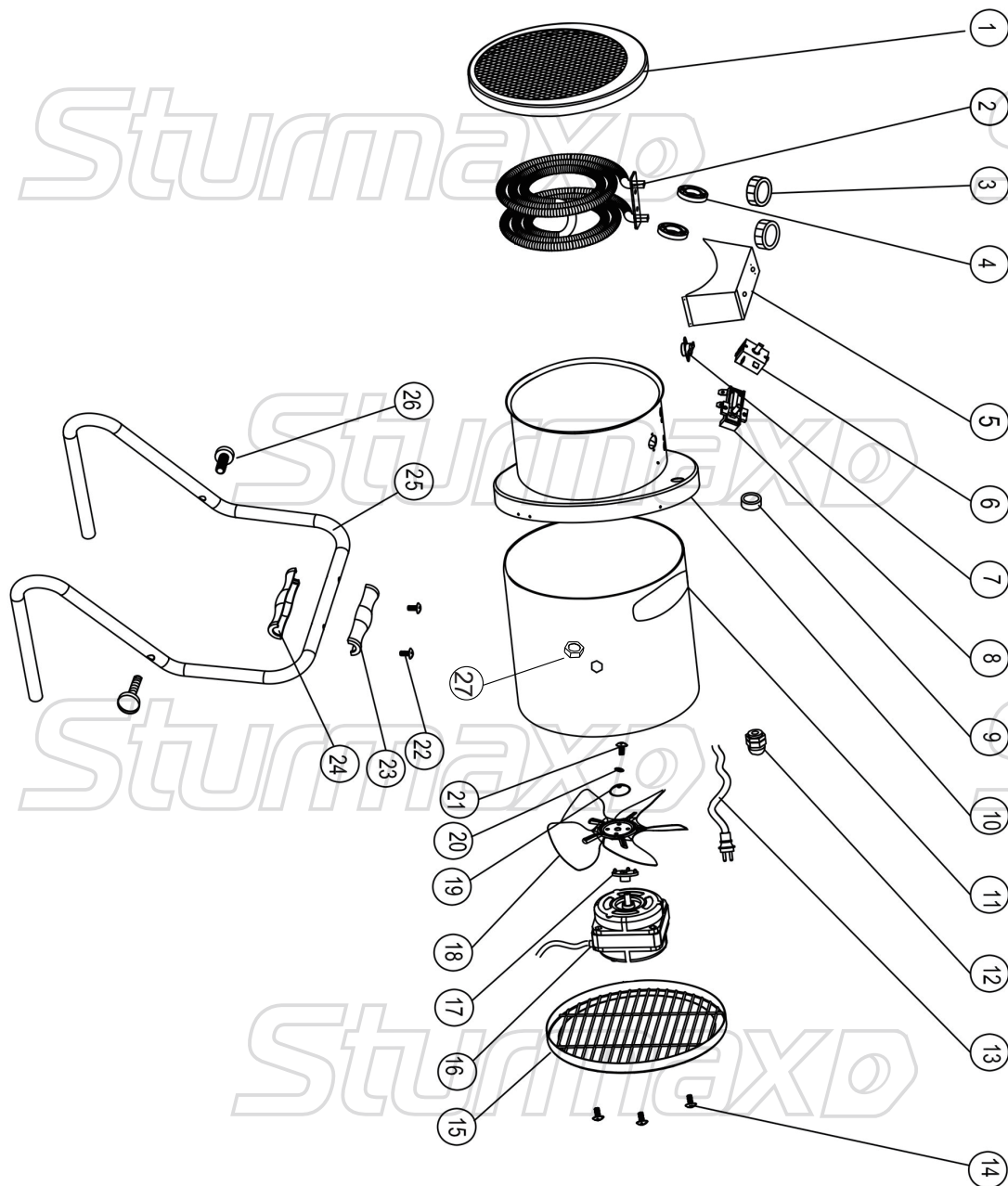


FHM2231RS



NO.	DESCRIPTION
1	FRONT GRILL
2	HEATING ELEMENT
3	KNOB
4	SEALING RING
5	CONTROL BOX
6	SWITCH
7	RE-SET THERMOSTAT
8	BI-METAL THERMOSTAT
9	PROTECTIVE RING
10	INNER CASING
11	OUTER CASING
12	POWER CORD LOCK
13	POWER CORD
14	SCREWS
15	BACK GRILL
16	MOTOR
17	FAN BASE
18	FAN
19	THE BLADES CLAMP
20	GASKET
21	SCREWS
22	SCREWS
23	UPPER HALF HANDLE
24	UNDER HALF HANDLE
25	METAL HANDLE
26	FIXED SCREWS
27	SPECIAL NUT M8

FHM2231RS-EX-UK260521-1