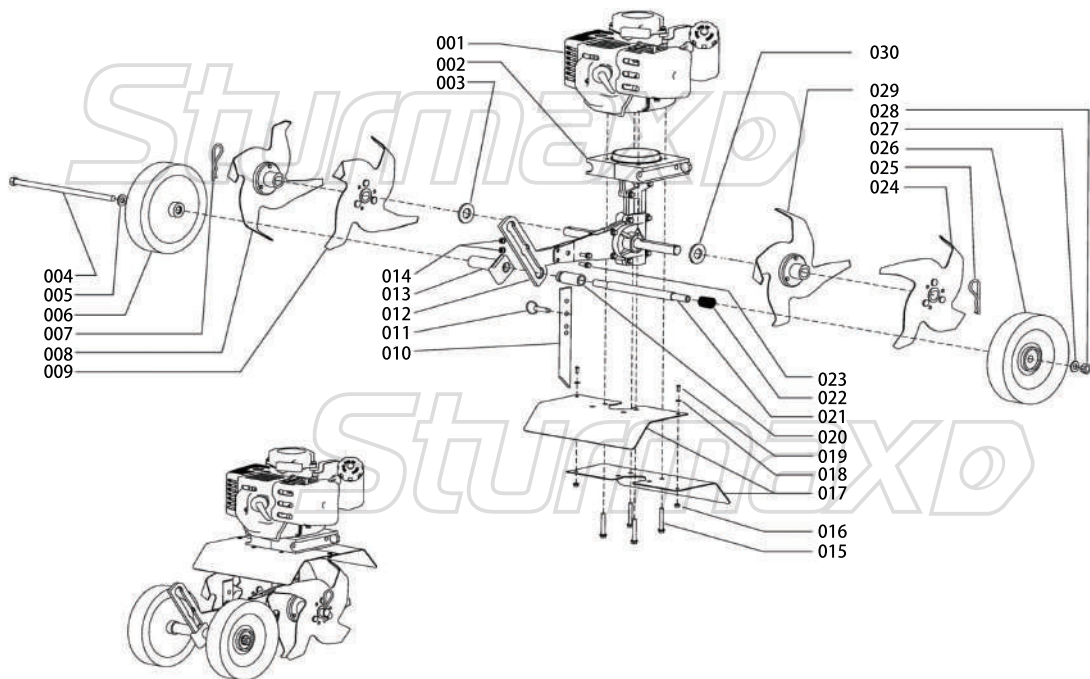


GKM8352

NO.	DESCRIPTION	NO.	DESCRIPTION
1	NUT	15	NUT
2	BOLT	16	BOLT,HANDLECLAM
3	THROTTLE CABLE	17	NUT
4	THROTTLE TRIGGER	18	FILTER HOUSING COVER
5	THROTTLE HOUSING	19	SPRING
6	E-CLIP	20	FILTER HOUSING BRACKET
7	HANDLE GRIP	21	SPONGE FILTER ELEMENT
8	SWITCH	22	FILTER HOUSING
9	BOLT	23	FIXED BRACKET
10	HANDLEBAR UPPER RIGHT	24	BOLT M5X30
11	NUT	25	FILTER TUBE
12	HANDLEBAR MIDDLE	26	HANDLEBAR LOWER
13	GASKET	27	BOLT,HANDLECLAM
14	NUT	28	NUT

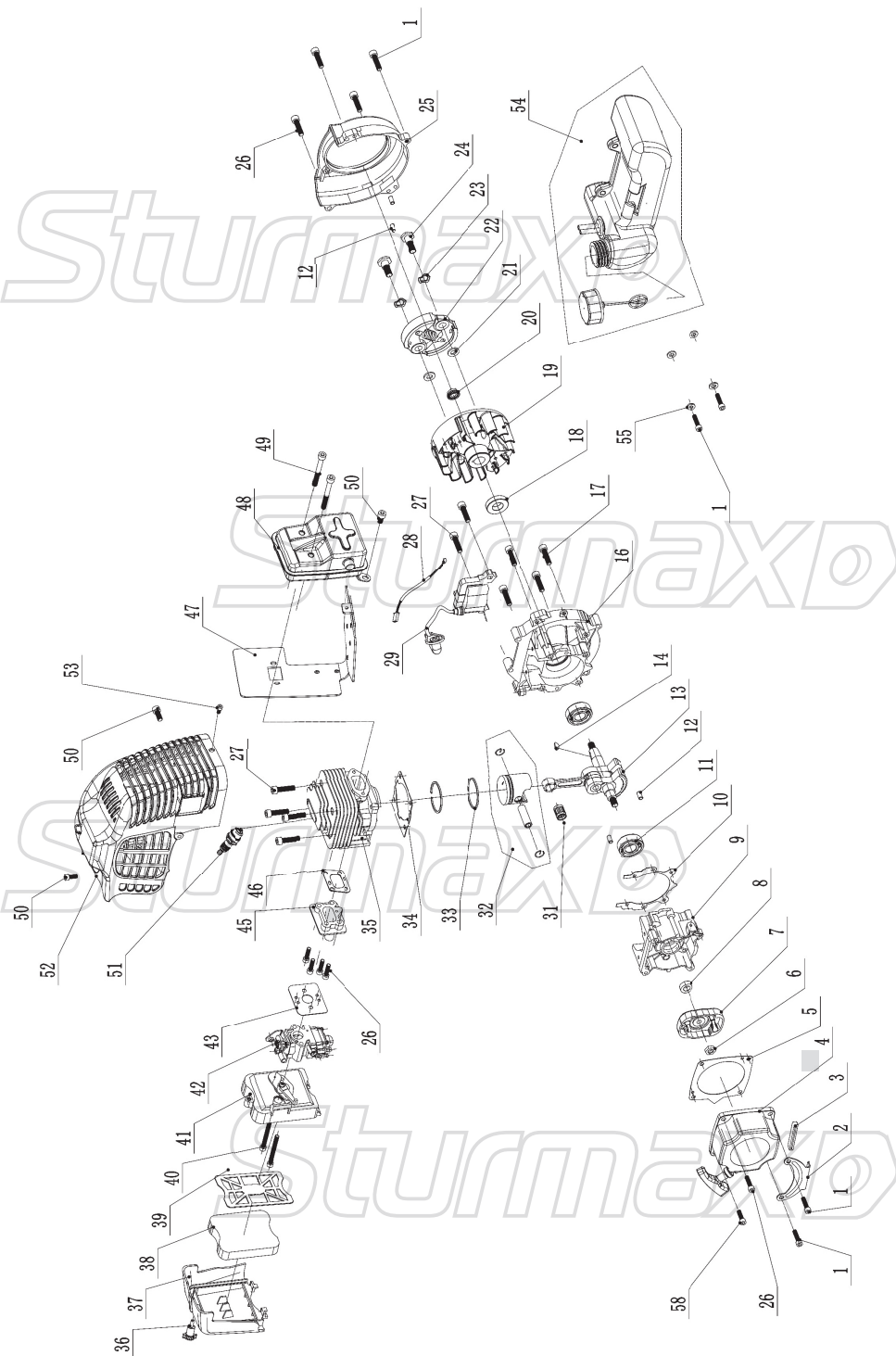
UK240914-1



GKM8352

NO.	DESCRIPTION	NO.	DESCRIPTION
1	52CC	16	NUT
2	TRANSMISSION ASSEMBLY	17	TINESHIELD
3	WASHER,FIBER	18	WASHER
4	BOLT	19	BOLT
5	WASHER 10MM	20	TUBE,WHEEL LOCK
6	WHEEL	21	WHEEL TUBE
7	HAIR PIN	22	SPRING,WHEELLOCK
8	TINE"A"RIGHT OUTSIDE	23	BOLT
9	TINE"B"RIGHT INSIDE	24	TINE"D"LEFT OUTSIDE
10	DRAGBAR	25	HARI PIN
11	DETENT PIN	26	WHEEL 10MM
12	WHEEL HOLDER	27	WASHER
13	GUIDE,WHEEL TUBE	28	WASHER
14	NUT	29	TINE"C" LEFT INSIDE
15	BLIT	30	WASHER,FIBER

UK240914-1



ENGINE FOR GKM8352

NO.	DESCRIPTION	NO.	DESCRIPTION
1	SCREW M5X30	29	IGNIZER
2	POT PENDANT	31	NEDDLE BEARING 10X13X16
3	RUBBER	32	PISTON
4	STARTER	33	PISTON RING
5	GASKET	34	CYLINDER GASKET
6	SCREW M8	35	CYLINDER
7	PAWL	36	FILTER NUTM5
8	OIL SEAL1	37	FILTER COVER
9	RIGHT HOUSING	38	FILTER ELEMENT
10	HOUSING SEAL	39	FILTER NET
11	BEARING 6202	40	SCREW M5X55
12	PIN 5X10	41	FILTER
13	CRANKSHAFT	42	CARBURATOR
14	KEY 3X13	43	CARBURATOR GASKET
16	LEFT HOUSING	45	INTAKE PIPE
17	SCREW M5X30	46	INTAKE PIPE GASKET
18	OIL SEAL2	47	WASHER OF SILENCER
19	FLY WHEEL	48	SILENCER
20	NUT M8	49	SCREW M6X55
21	GASKET8X18X0.5	50	SCREW M5X14
22	CLUTCH	51	PLUG SPARK
23	SPRING WASHER	52	CYCLINDER COVER
24	SCREW M8X24	53	SCREW M4X12
25	SIDE COVER	54	POTS
26	SCREW M5X25	55	WASHER
27	SCREW M5X20	58	SCREW M5X20
28	TURN OFF LINE		

UK240914-1

Sturmaxo