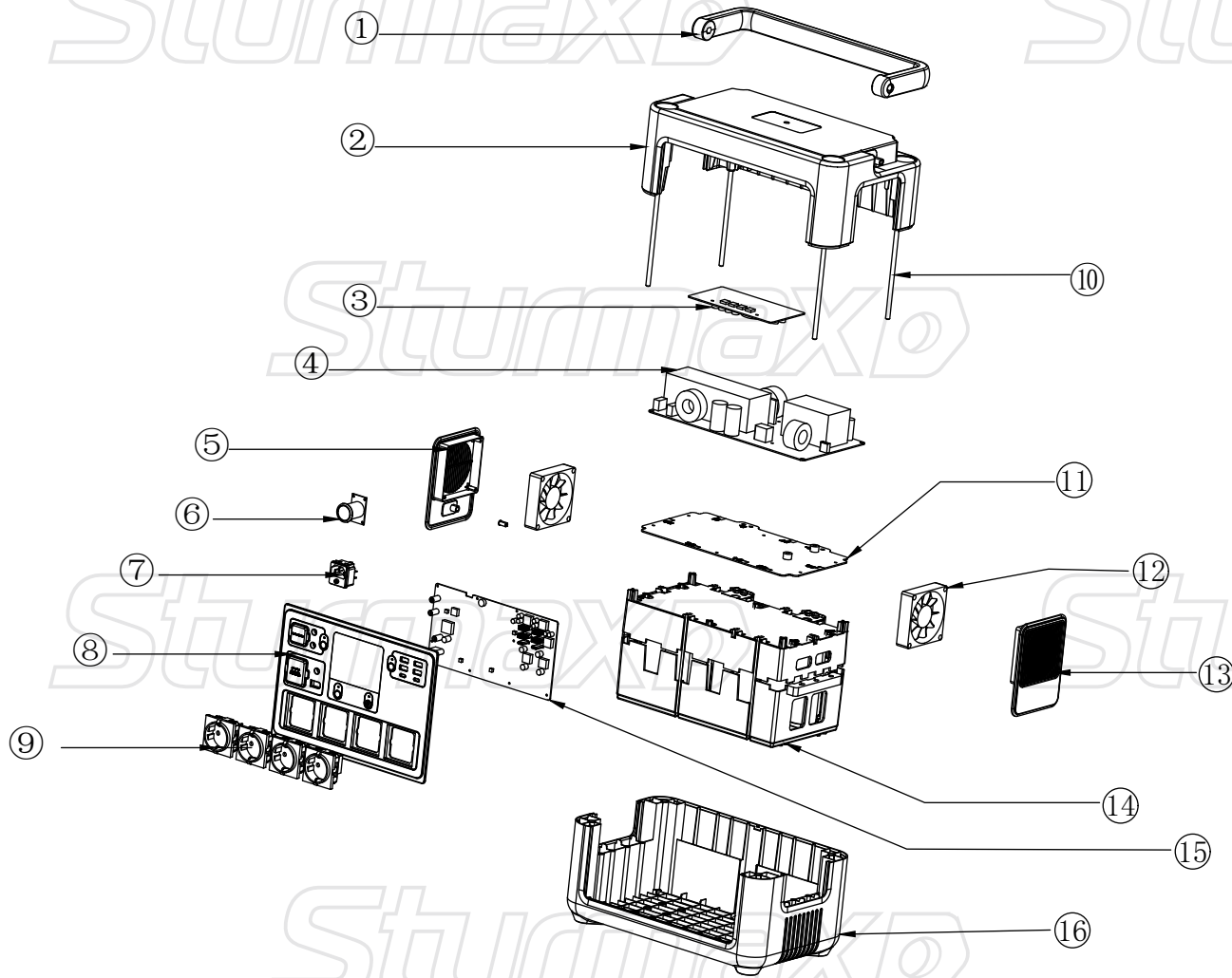


## HSM901800



NO.	DESCRIPTION
1	HANDLE
2	UPPER SHELL
3	MPPT MODULE
4	INVERTER
5	LEFT SIDE COVER
6	CIGARETTE LIGHTER
7	AC INPUT
8	FRONT SHELL
9	AC OUTPUT
10	FIXED SCREW
11	BMS MODULE
12	FANS
13	RIGHT SIDE COVER
14	BATTERY PACK
15	CONTROL BOARD
16	BOTTOM SHELL

UK240716