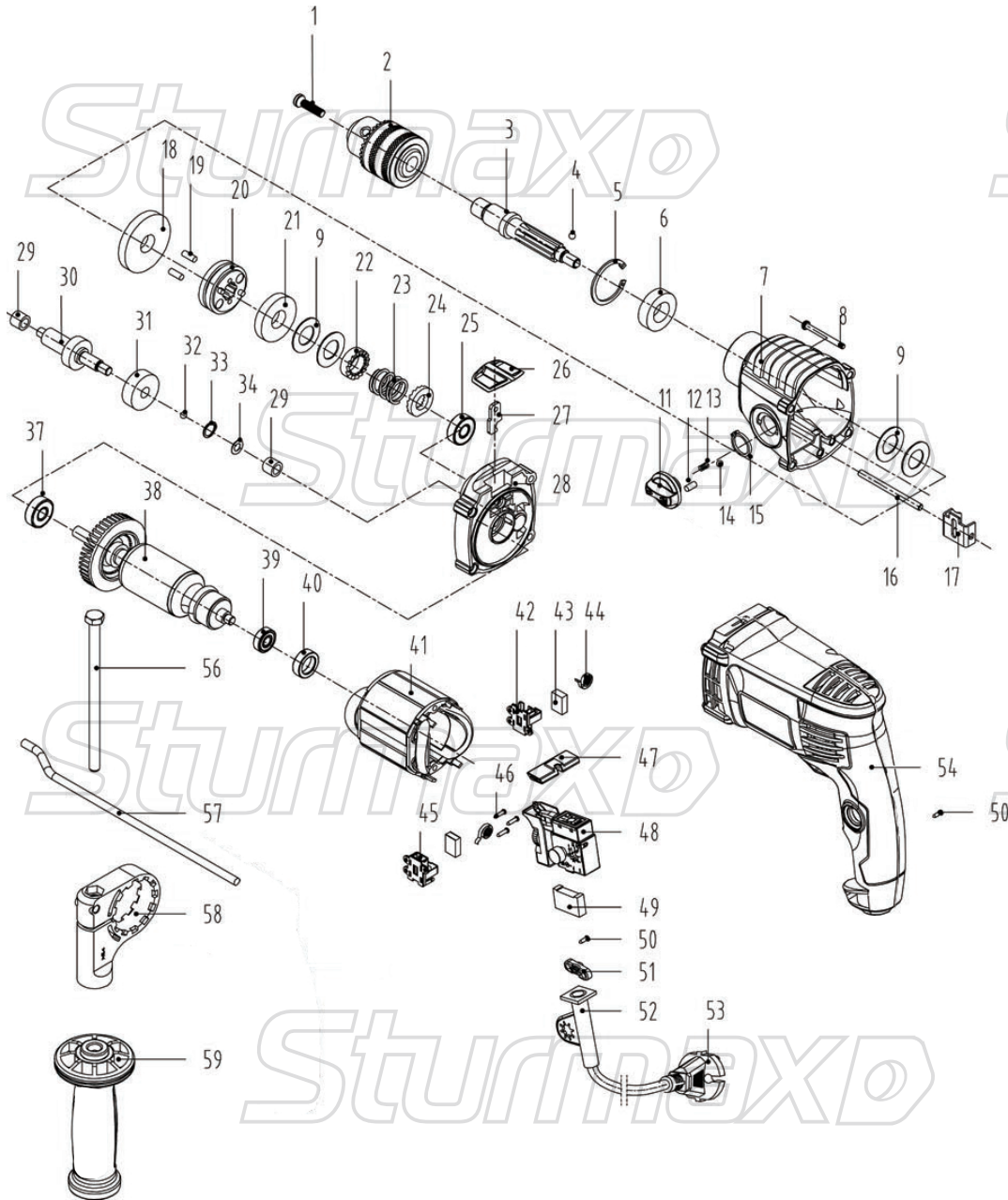


# IDM21120AR



NO.	DESCRIPTION	NO.	DESCRIPTION
1	CHUCK SCREW	30	INTERMEDIATE SPINDLE
2	KEYED CHUCK	31	HELICAL GEAR
3	OUTPUT SPINDLE	32	STEEL BALL
4	STEEL BALL	33	CIRCLIP
5	CIRCLIP	34	PLATE WASHER
6	BALL BEARING6003Z	37	BALL BEARING609Z
7	GEARBOX	38	ROTOR
8	GEARBOX SCREW	39	BALL BEARING607Z
9	PLATE WASHER	40	BEARING SLEEVE
11	GEAR KNOB	41	STATOR
12	PIN	42	UPPER BRUSH HOLDER
13	SPRING	43	CARBON BRUSH
14	STEEL BALL	44	COIL SPRING
15	CIRCLIP	45	DOWN BRUSH HOLDER
16	PIN	46	BRUSH HOLDER SCREW
17	FORK	47	L/R KNOB
18	BIG GEAR	48	ON-OFF SWITCH
19	PIN	49	CAPACITOR
20	SLIPER	50	SCREW
21	SMALL GEAR	51	CABLE CLIP
22	DYNAMIC IMPACT GEAR	52	CABLE GUARD
23	IMPACT SPRING	53	CABLE
24	FIXED IMPACT GEAR	54	HOUSING
25	BALL BEARING608Z	56	BOLT
26	FUNCTION KNOB	57	DEPTH GAUGE
27	FUNCTION PLATE	58	HANDLE COLLAR
28	BEARING PLATE	59	SIDE HANDLE
29	NEEDLE BEARINGHK0709		