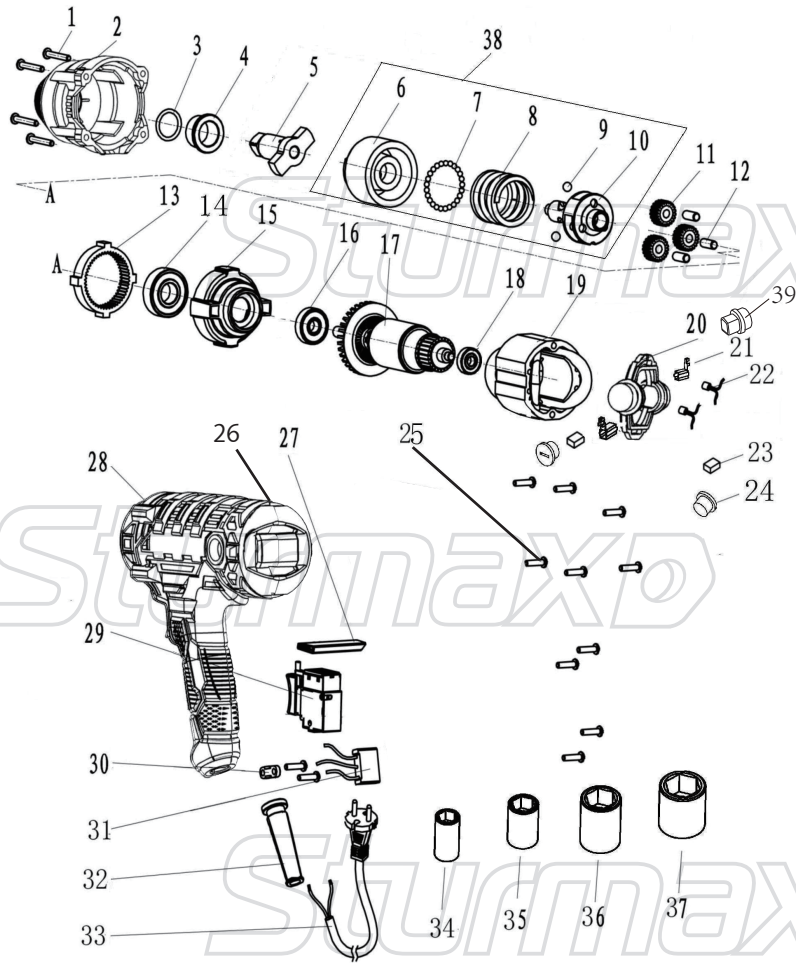


Sturmaxo

Sturmaxo

IDM2185IW

NO.	DESCRIPTION
1	screw
2	Gear box
3	o-ring
4	Shaft sleeve
5	Output shaft
6	Impact block
7	Steel Ball
8	Spring
9	Steel Ball
10	Intermediate shaft
11	Planetary gear
12	Round pin
13	Ring gear
14	bearing 6002Z
15	plastic Gear box
16	bearing 608Z
17	Rotor
18	bearing 608Z
19	Stator
20	Brush bracket
21	Inner brush holder
22	Inductance
23	Carbon brush
24	brush cap
25	screw
27	Direction setting button
28	housing
29	Switch
30	cable anchorage
31	Capacitor
32	Cable protector
33	Cable
34	17mm socket
35	19mm socket
36	21mm socket
37	22mm socket
38	Impact block assembly
39	Carbon brush holder



ST-UKW230922

Sturmaxo

Sturmaxo