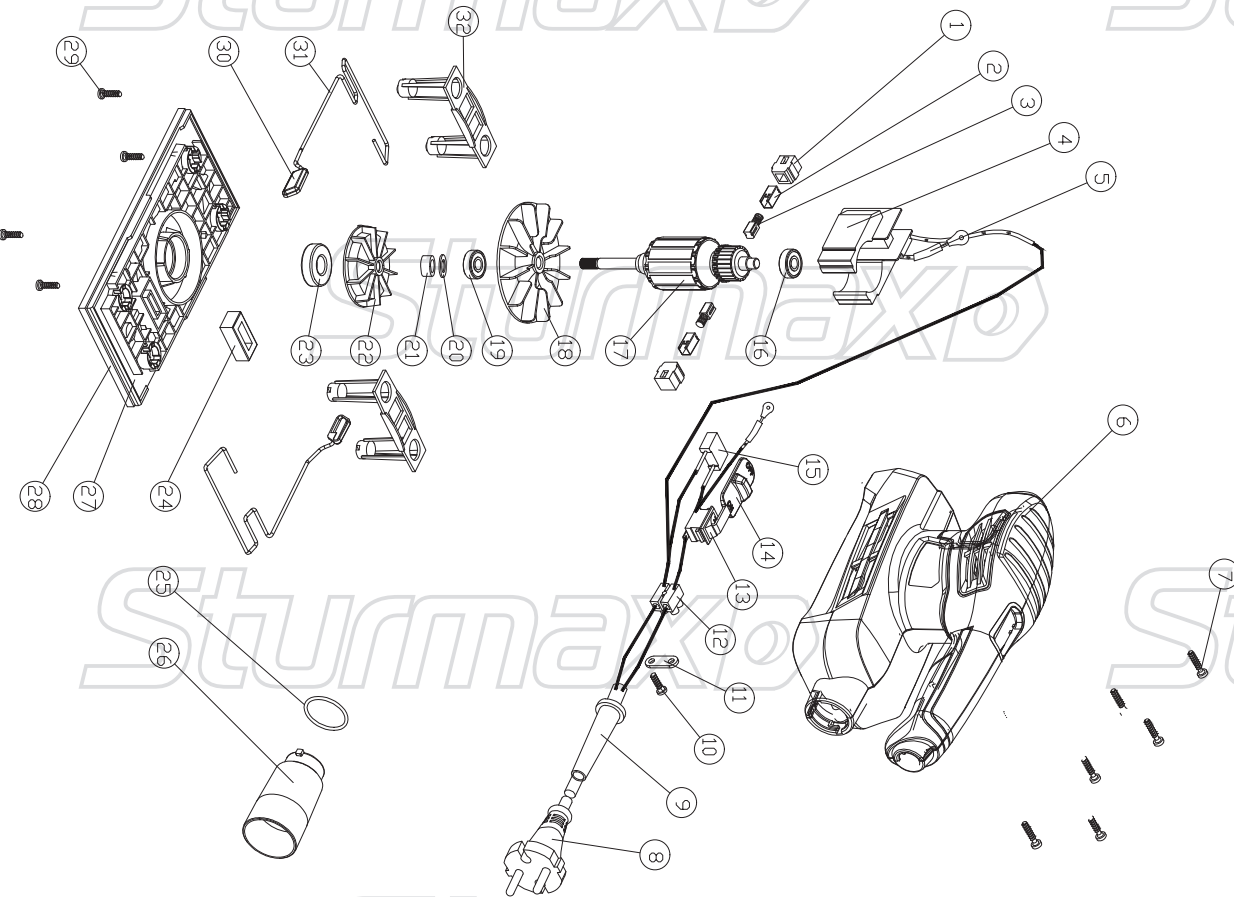


# OSM8028S



NO.	DESCRIPTION	NO.	DESCRIPTION
1	BRUSH HOLDER	25	O-RING
2	BRUSH HOLDER NEST	26	DUST TUBE
3	CARBON BRUSH	27	BASE
4	STATOR	28	BASE SPONG
5	INSERT PIECE	29	SCREW ST3.9X12
6	HOUSING	30	STLEEL WIRE CAP
7	SCREW ST3.9X17	31	STLEEL WIRE
8	CABLE & PLUG	32	BRACKET FOOT
9	CABEL SLEEVE		
10	SCREW ST3.9X12		
11	CABLE CLAMP		
12	TERMIAL BLOCK		
13	SWITCH		
14	SWITCH BUTTON		
15	CAPACITOR		
16	BEARING 607Z		
17	ROTOR		
18	FAN		
19	BEARING 607Z		
20	WASHER $\Phi 7.3 \times \Phi 12 \times 0.8$		
21	BUSH		
22	ALUNINUM FAN		
23	BEARING 6001		
24	SPONG		

OSM8028S-EX-UKW231013-1