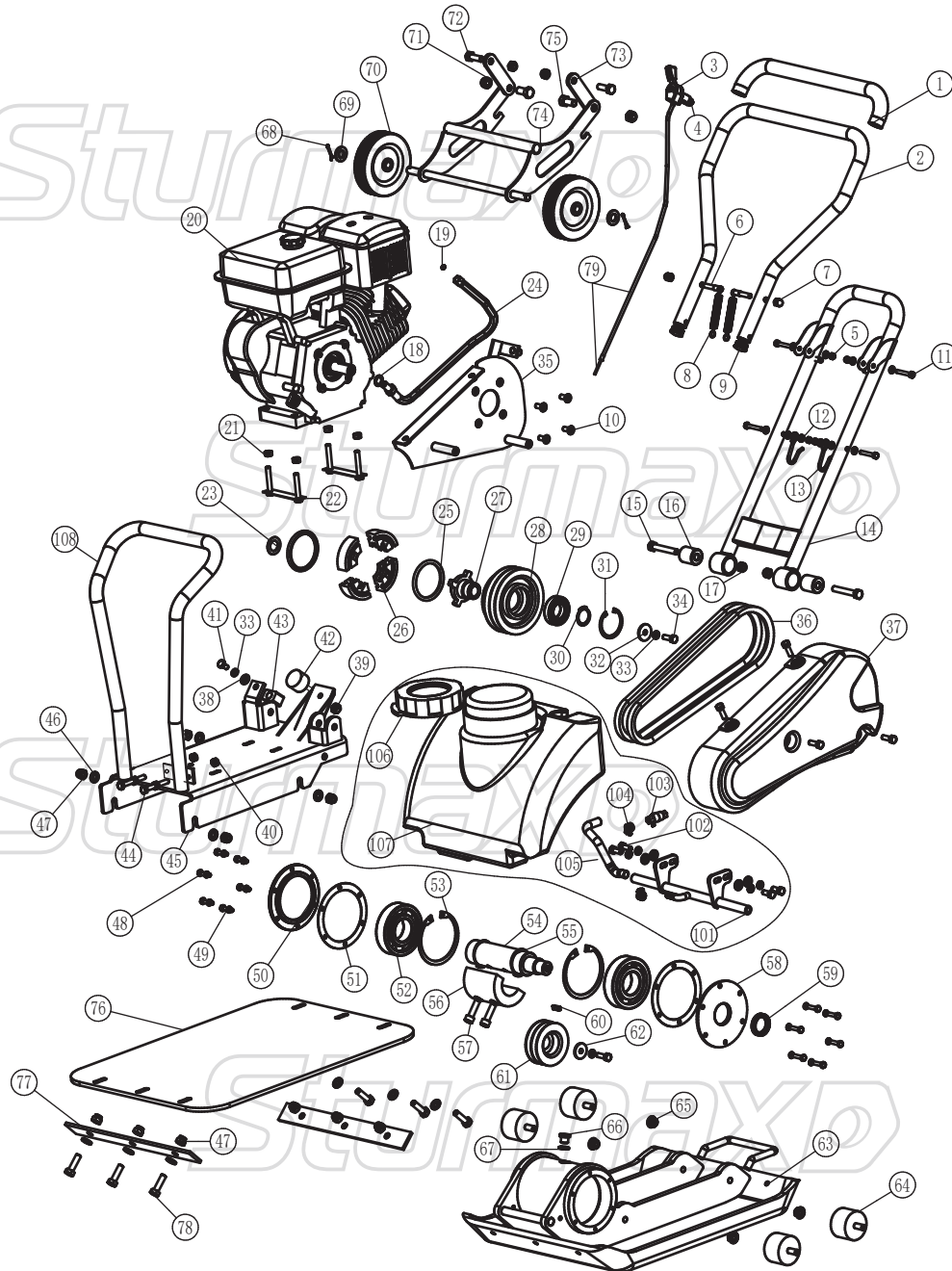


PCM8809DKW



NO.	DESCRIPTION	NO.	DESCRIPTION
1	THE FOAM OF HANDLE GRIP	45	ENGINE AMOUNTING PLATE
2	HANDLE	46	FLAT WASHER 10N
3	CORD SWITCH	47	HEX NUT M10
4	SNAP-HEAD BOLT	48	HEX BOLT M6X16
5	HEX-NUT M6	49	SPRING WASHER 6
6	SPRING PIN	50	RIGHT BEARING COVER
7	CAP NUT M8	51	SEAL RING
8	TENSION SPRING	52	BEARING 6309
9	PIPE END CAP	53	CIRCLIP FOR HOLE 100
10	HEX SUNK SCREW M8X20	54	VIBRATION SHAFT
11	HEX BOLT M6X40	55	HEX BOLTS M10X30
12	FLAT WASHER 6N	56	ECCENTRIC IRON
13	HOOK	57	CIRCLIP FOR SHAFT 45
14	CONNECTION FRAME FOR HANDLE	58	LEFT BEARING COVER
15	HEX BOLT M10X65	59	LIP OIL SEAL 30X42X7
16	SHOCK-REDUCING RUBBER RING	60	FLAT KEY
17	SELF-LOCKING NUT M10	61	PULLEY
18	RUBBER GASKET	62	PULLEY CIRCLIP
19	SEAL RING 5	63	BOTTOM PLATE
20	PETROL ENGINE	64	SHOCK-REDUCING RUBBER BLOCK
21	HEX FLANGE NUT M8	65	HEX FLANGE NUT M10
22	FIXED PLATE FOR BOLT	66	END NUT
23	ASJUSTING WASHER	67	WASHER
24	OIL DRAIN PIPE	68	SPLIT PIN 2.5 X 25
25	CLUTCH SPRING	69	FLAT WASHER 14N
26	CLUTCH FRICTION BLOCK	70	5" WHEEL
27	CLUTCH CORE	71	HEX SELF-LOCKING NUT M12
28	CLUTCH BELT PULLEY	72	HEX BOLT M10X30
29	BEARING 6006-LS	73	CONNECTION ROD
30	CIRCLIP FOR SHAFT 30	74	TRANSPORT FRAME
31	CIRCLIP FOR HOLE 55	75	HEX BOLT M12X25
32	FLAT WASHER 8N	76	RUBBER PAD
33	SPRING WASHER 8	77	RUBBER PAD SPLINT
34	HEX BOLT M8X25	78	HEX BOLT M10 X 35
35	FIXED PLATE BELT COVER	79	THROTTLE WIRE+THROTTLE CABLE
36	V-BELT	101	OUTLET PIPEWORK
37	BELT COVER	102	HEX BOLT M8X20
38	FLAT WASHER 8N	103	VALVE
39	HEX NUT M10	104	PIPE CLAMP
40	HEX NUT M8	105	WATER PIPE
41	HEX BOLT M8X16	106	WATER TANK COVER
42	SHOCK-REDUCING RUBBER BLOCK	107	WATER TANK
43	RUBBER BLOCK	108	WATER TANK FRAME
44	HEX BOLT M8X60		